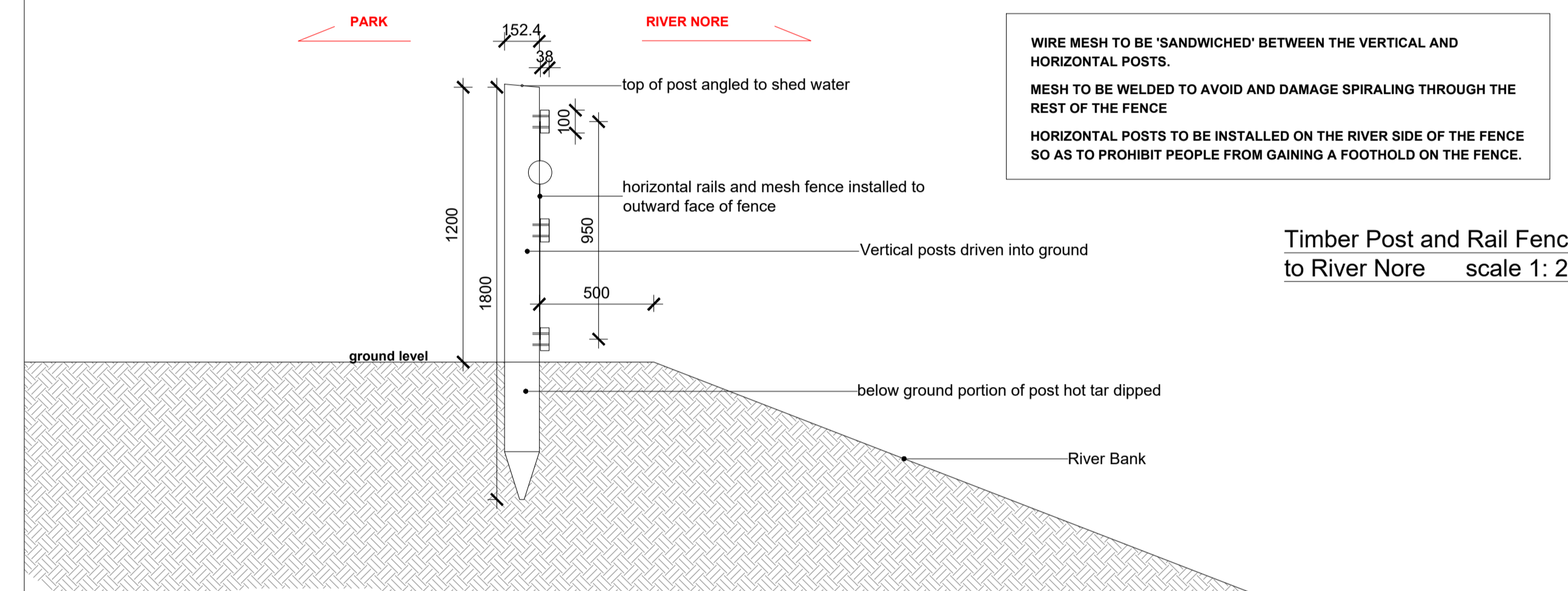
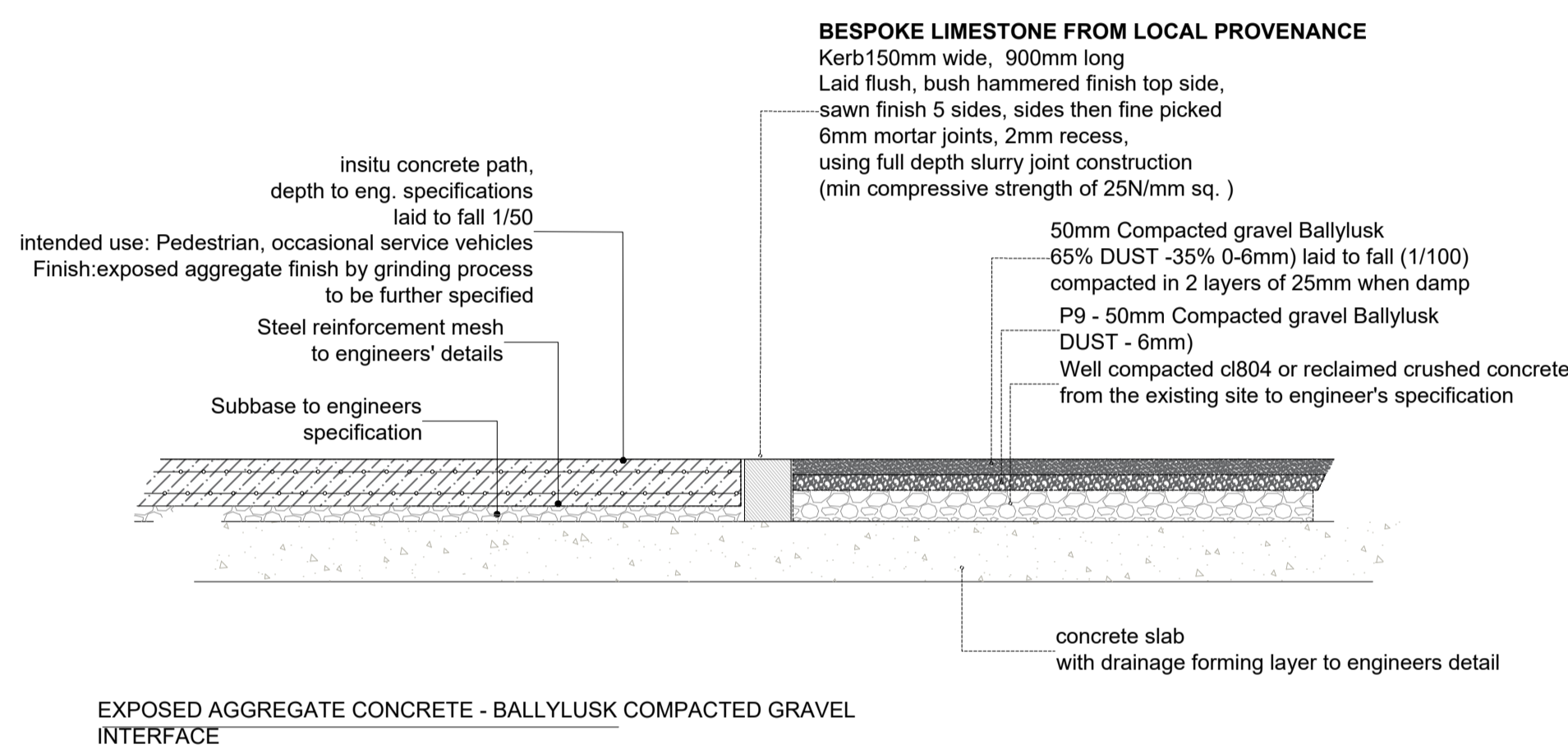
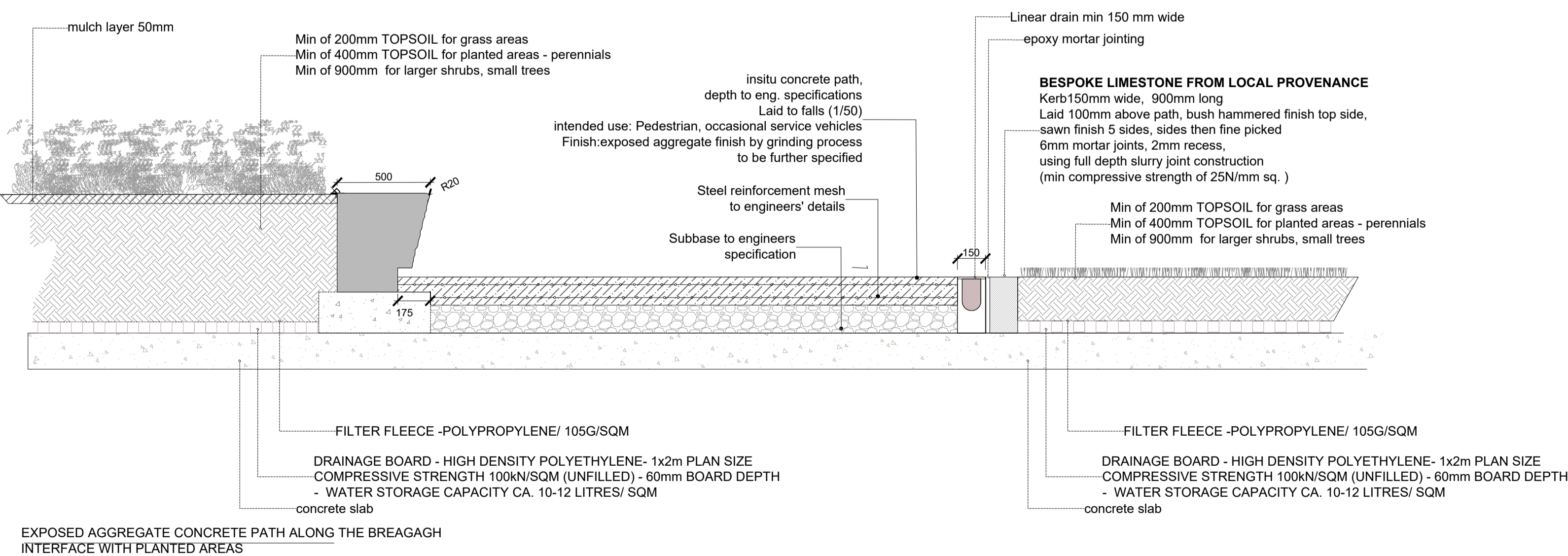


Timber Post and Rail Fence to River Nore scale 1: 20



Timber Post and Rail Fence to River Nore scale 1: 20



Timber Fencing to BS 1722 Part 2

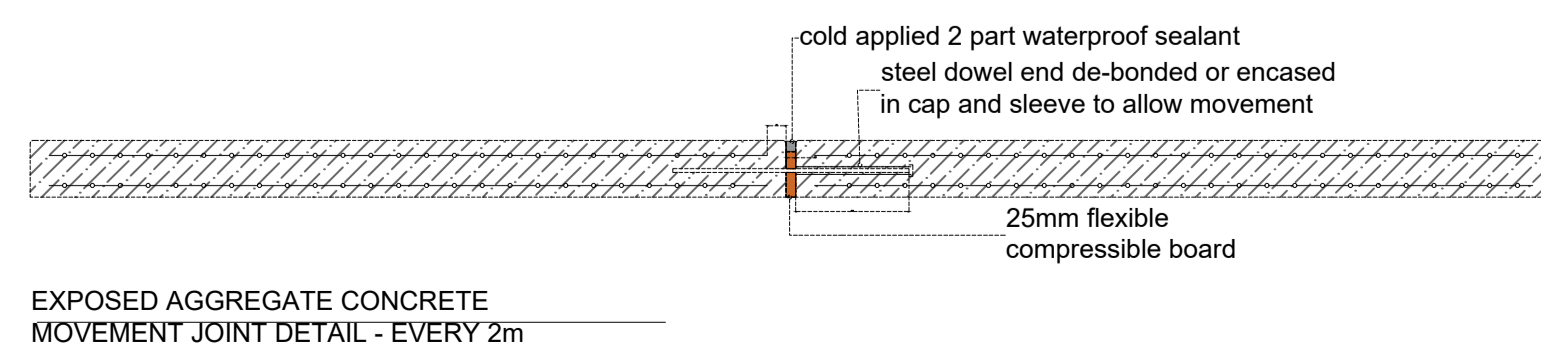
Timber posts:
1.8m length x 152.4mm (6 inch) square section posts, pressure impregnated Douglas Fir/ Larch installed to a depth of 600mm leaving 1.2m above ground. Below ground portion of post to be hot-tar dipped. Top angled.

Corner / Straining posts set into 450mm square concrete pad foundation. Required at ends of fence or any change in direction.

Timber rails:
1.2m length x 100 x 38mm pressure impregnated Douglas Fir/ Larch rails nailed to posts with 120mm s/snails, 2nails per end.

Struts to Straining posts:
1.8m length x 90 x 38mm post, peeled and pointed, driven to a depth of 600mm, left firm.

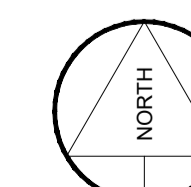
Welded Mesh Infill 50x50mm squares, 2.6mm gauge fastened with 40mm galvanised staples in a minimum of 4no. equally spaced positions on all posts.



EXPOSED AGGREGATE CONCRETE

TO BE COMPLETED BY EXPERIENCED SPECIALIST CONTRACTOR FOR BOTH THE LAYING AND FINISH OF THE CONCRETE AND THE POLISHING/GRINDING OF THE SURFACE.

CONFIRMATION REQUIRED OF SPECIALIST CONTRACTOR'S INTENDED TO COMPLETE THIS ELEMENT OF THE WORKS



1:20 @ A1

REV	DESCRIPTION	ISSUED BY	DATE

MITCHELL + ASSOCIATES
LANDSCAPE ARCHITECTURE URBAN DESIGN

Unit 5, Woodpark, The Rise, Glasnevin, Dublin 9, Ireland t: 353 1 454 5066 e: info@mitcheல்ல.com

PROJECT
ABBAY QUARTER URBAN PARK AND STREET

CLIENT
KILKENNY COUNTY COUNCIL

JOB NO.
LK1L050

DRAWING
HARDWORKS DETAILS 1

DRAWING NO.
300

DRAWN BY VERONIKA KUNCLOVA	CHECKED VK	DATE 18.05.2020
-------------------------------	---------------	--------------------

STATUS: PLANNING	SCALE 1:20 @ A1	REVISION 01
---------------------	--------------------	----------------

NOTES:
All dimensions are in millimeters unless otherwise stated and shall be checked and confirmed by the contractor on site. Any discrepancies shall be immediately reported to the landscape architect. Work to figured dimensions only. Do not scale from drawing. Do Not Scale. Use Figured Dimensions Only. Not for Construction Purposes unless Specifically Marked.

© THIS DRAWING IS COPYRIGHT © OF MITCHELL + ASSOCIATES