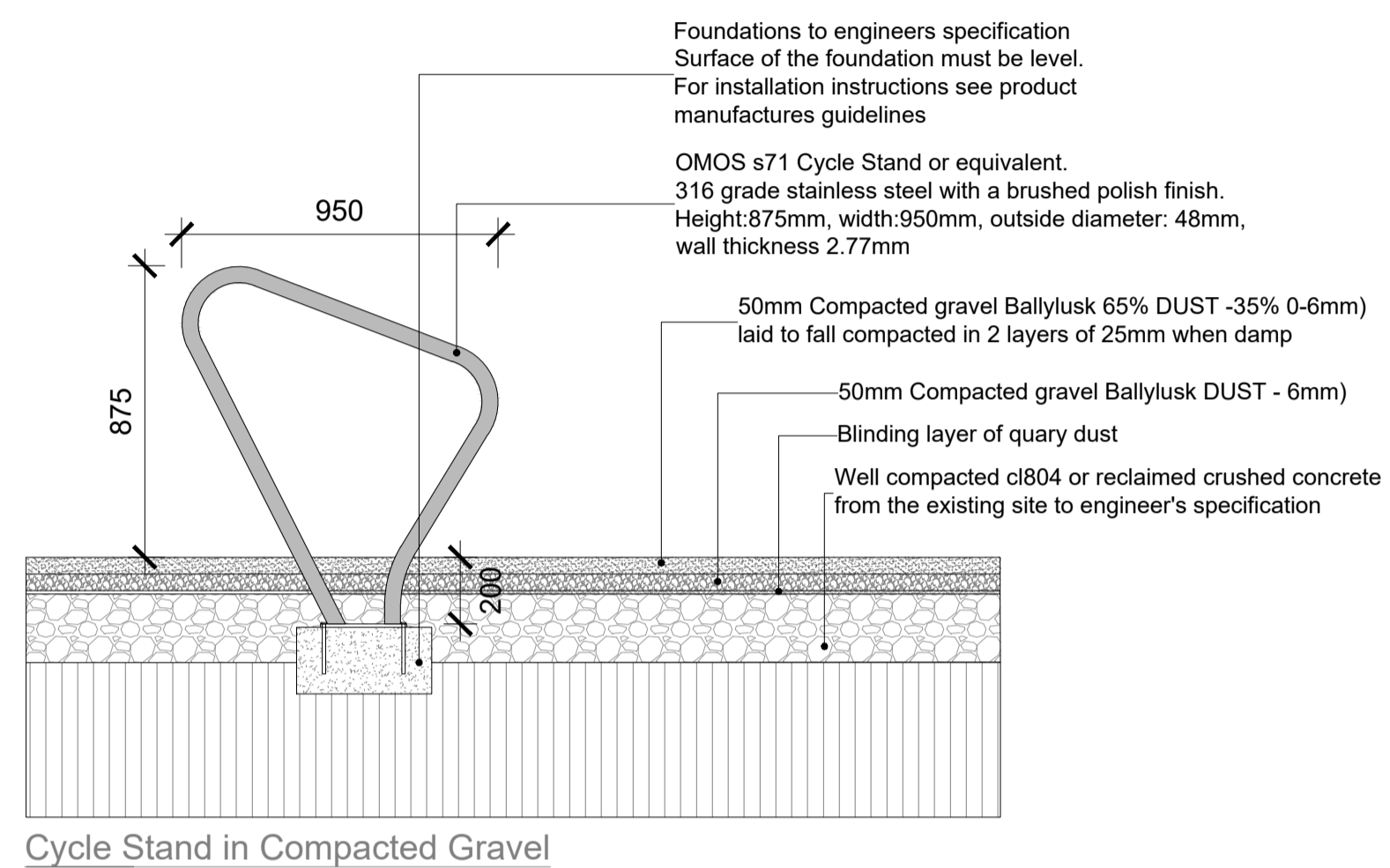
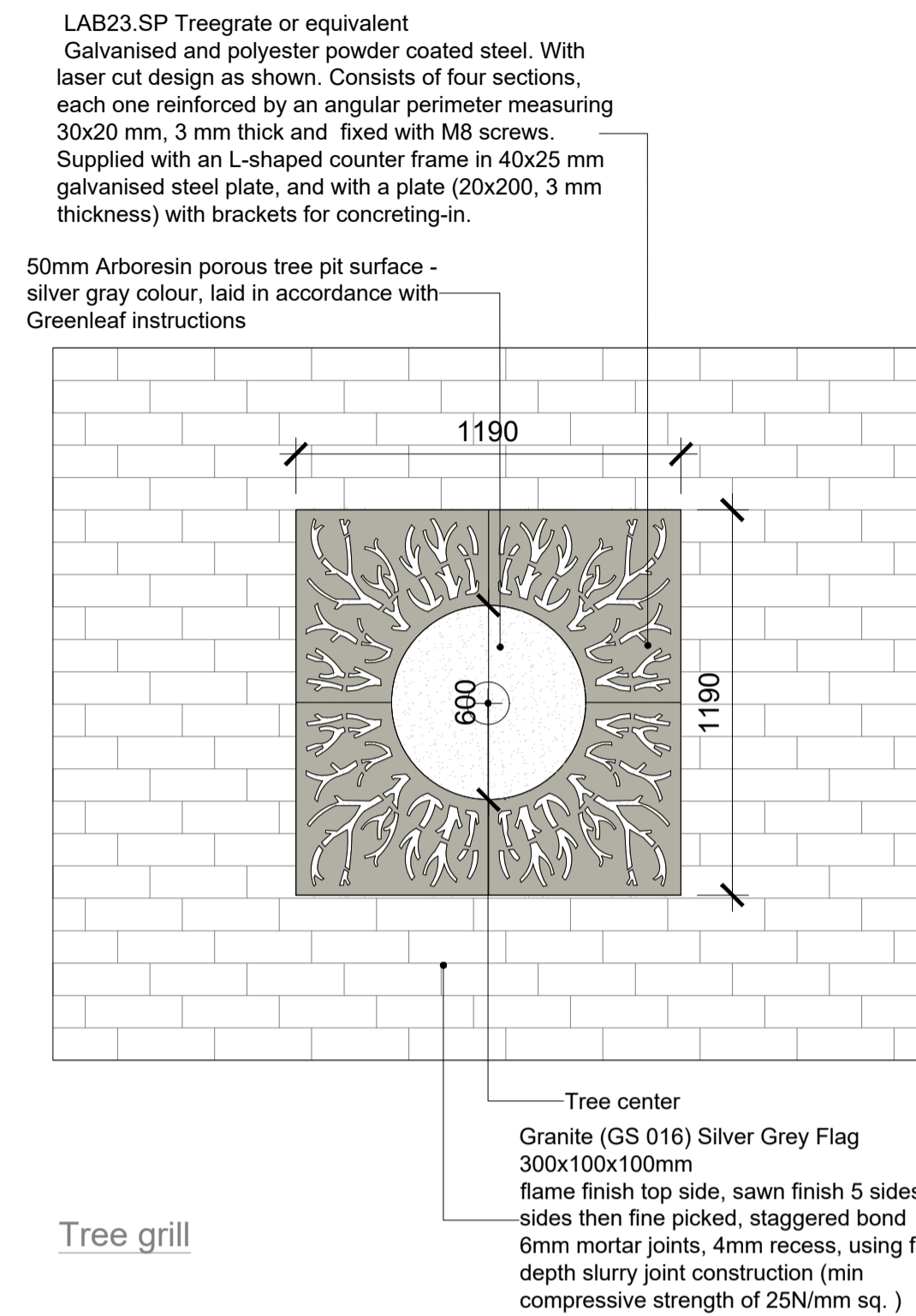


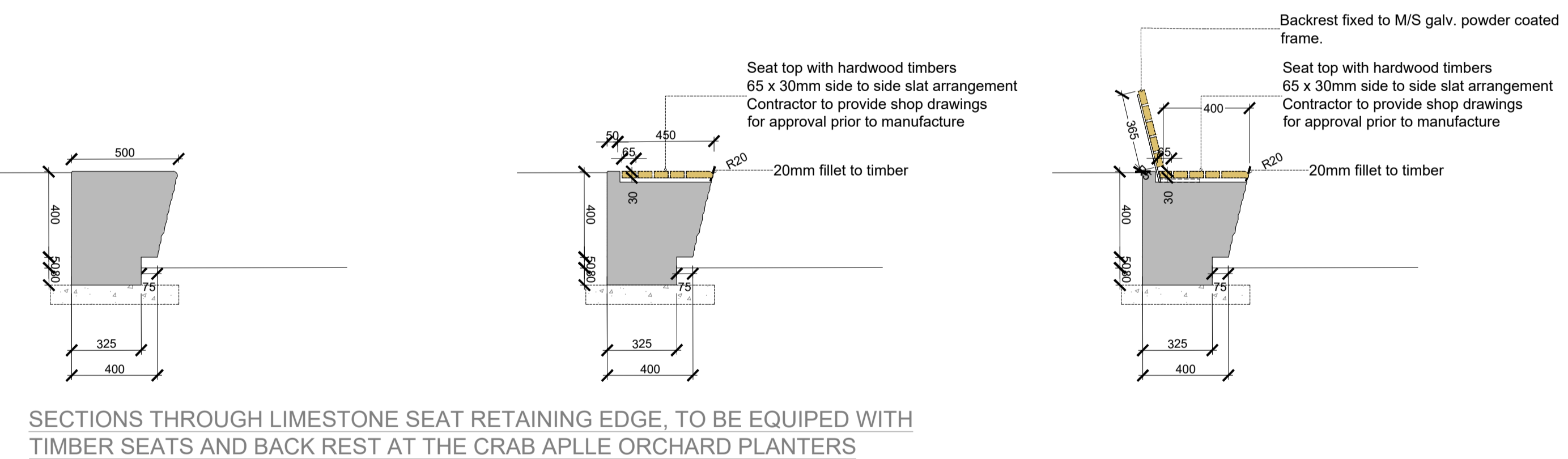
LITTER BIN DETAIL



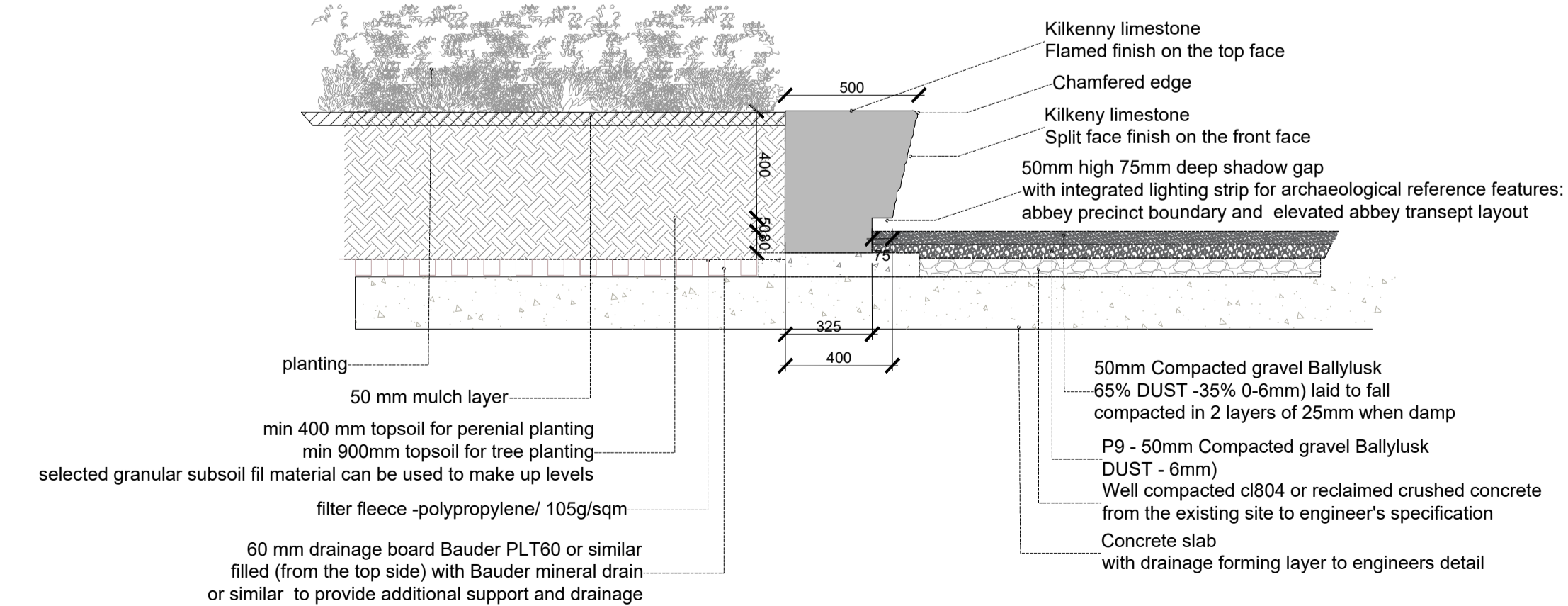
Cycle Stand in Compacted Gravel



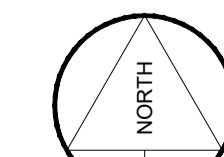
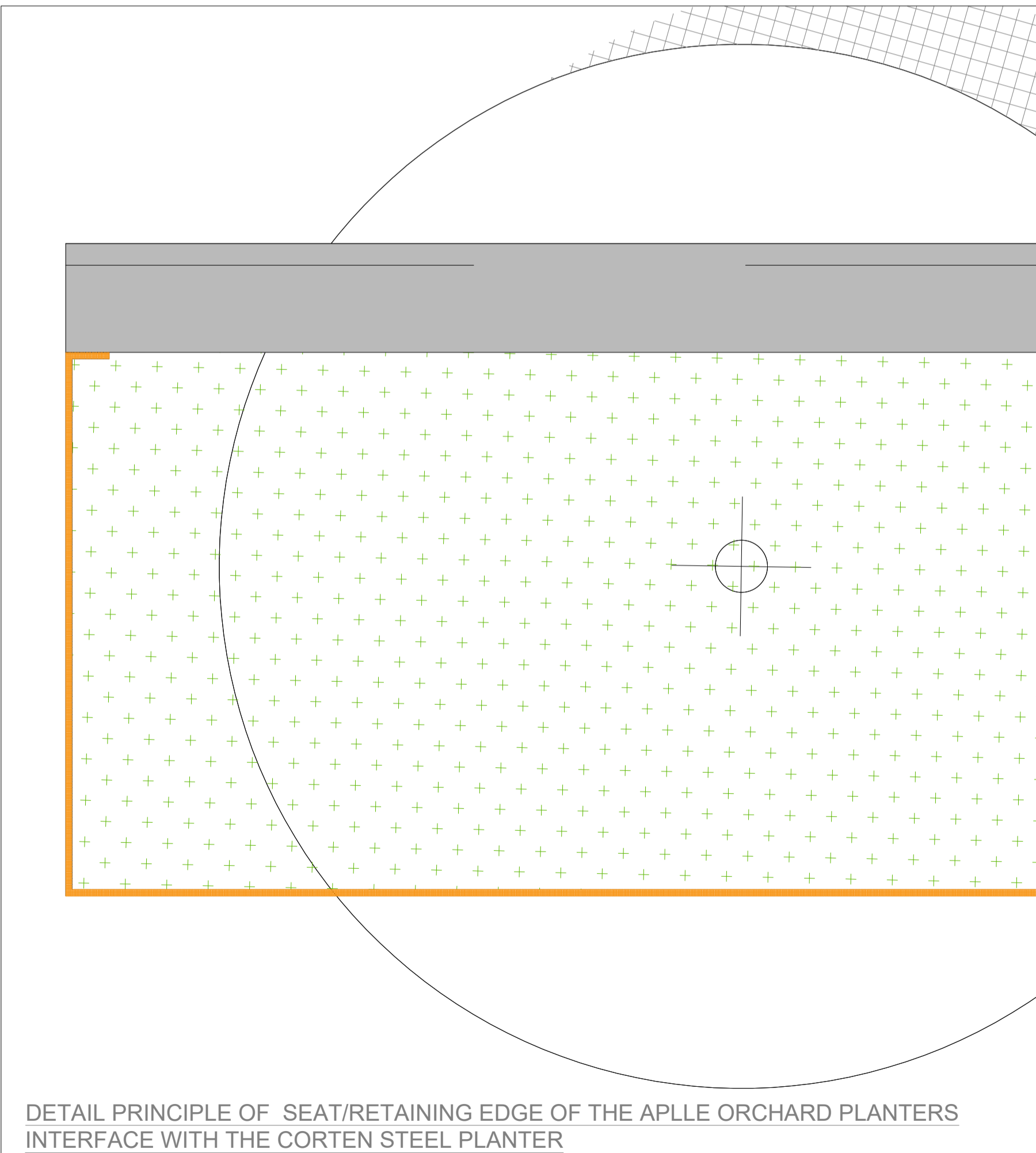
Tree grill



SECTIONS THROUGH LIMESTONE SEAT RETAINING EDGE, TO BE EQUIPPED WITH TIMBER SEATS AND BACK REST AT THE CRAB APLLE ORCHARD PLANTERS



TYPICAL SECTION THROUGH SEAT/RETAINING EDGE



1:20 @ A1

REV	DESCRIPTION	ISSUED BY	DATE
<b>MITCHELL + ASSOCIATES</b> LANDSCAPE ARCHITECTURE URBAN DESIGN <small>Unit 5, Woodpark, The Rise, Clonsilla, Dublin 9, Ireland t + 353 1 454 5066 e info@mitcheassoc.net</small>			
<b>PROJECT</b> ABBAY QUARTER URBAN PARK AND STREET			
<b>CLIENT</b> KILKENNY COUNTY COUNCIL			
<b>JOB NO.</b> LKIL050			
<b>DRAWING</b> HARDWORKS DETAILS 2			
<b>DRAWING NO.</b> 301			
<b>DRAWN BY</b> VERONIKA KUNCLOVA	<b>CHECKED</b> VK	<b>DATE</b> 18.05.2020	
<b>STATUS:</b> PLANNING	<b>SCALE</b> 1:20 @ A1	<b>REVISION</b> 01	
<small>NOTES: All dimensions are in millimeters unless otherwise stated and shall be checked and confirmed by the contractor on site. Any discrepancies shall be immediately reported to the landscape architect. Work to figured dimensions only. Do not scale from drawing. Do Not Scale. Use Figured Dimensions Only. Not for Construction Purposes unless Specifically Marked. © THIS DRAWING IS COPYRIGHT © OF MITCHELL + ASSOCIATES</small>			