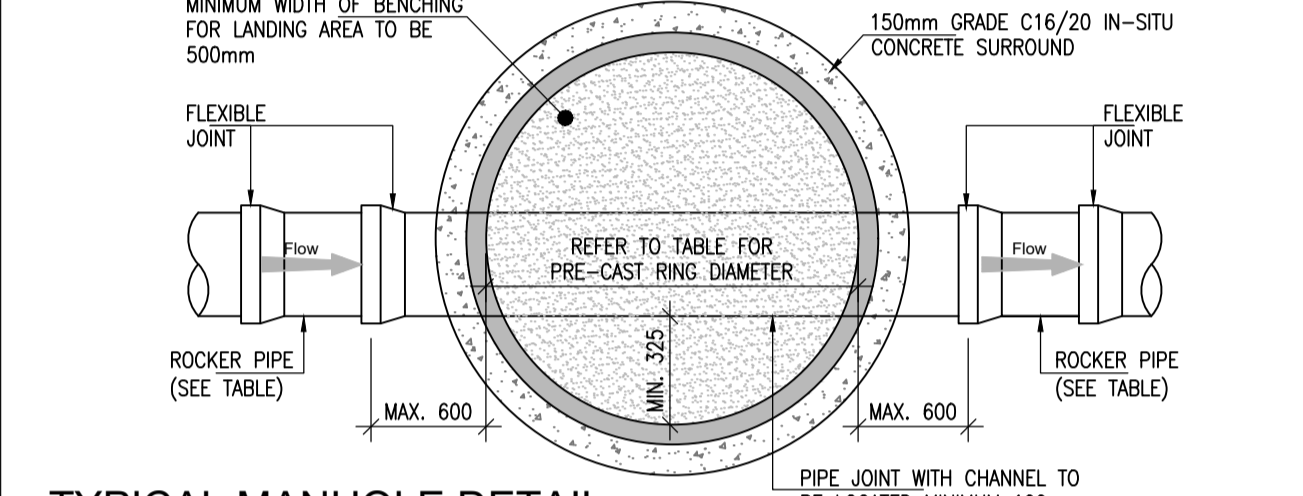


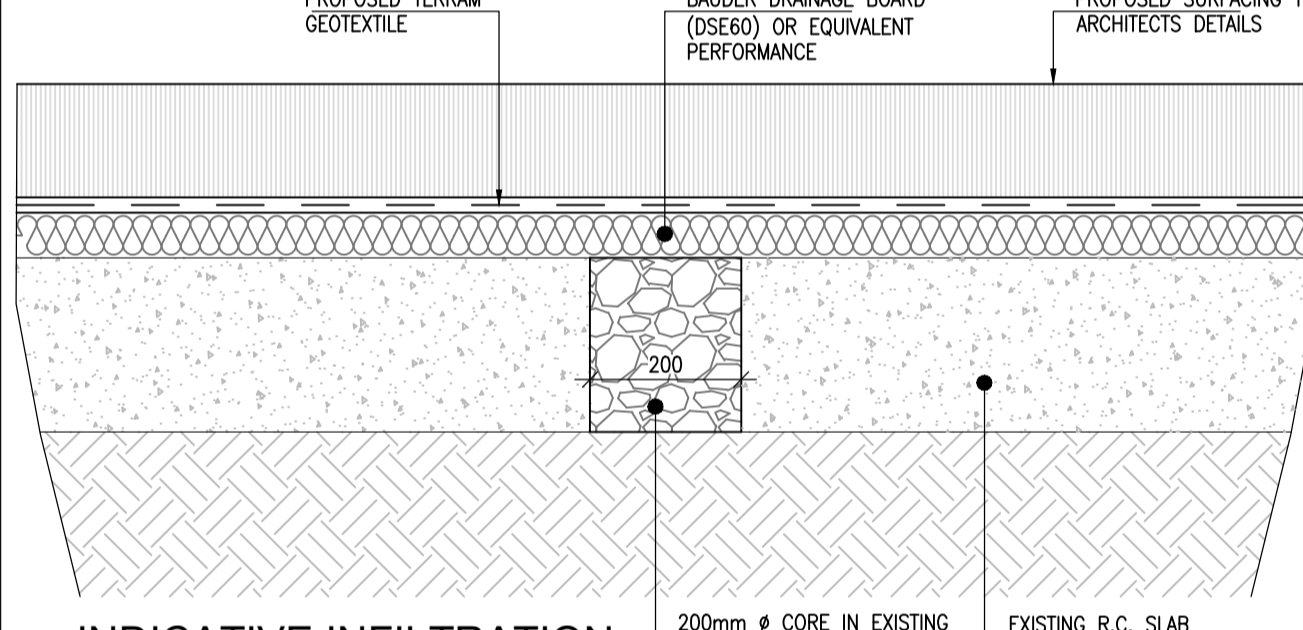
MANHOLE DETAIL
 >3m & <6m GROUND TO SOFFIT DEPTH
 A1 SCALE: 1:25
 A3 SCALE: 1:50

MINIMUM MANHOLE DIAMETERS	
DIAMETER OF LARGEST PIPE IN MANHOLE (mm)	INTERNAL DIAMETER OF MANHOLE (mm)
LESS THAN 375	1200
375 TO 450	1350
500 TO 750	1500

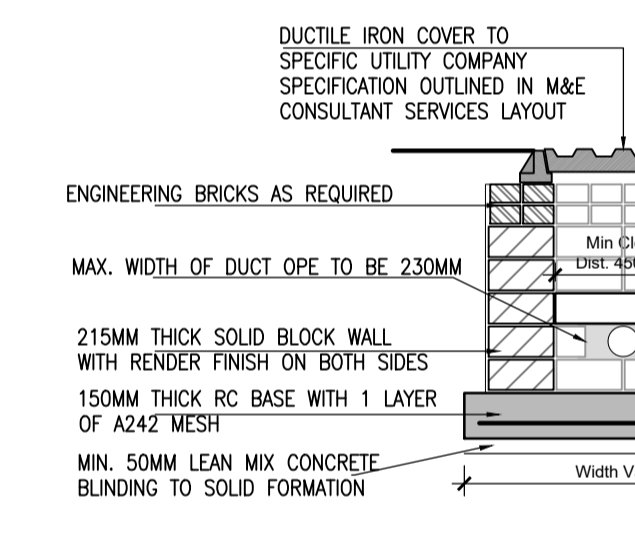
ROCKER PIPE LENGTH	
PIPE DIAMETER (mm)	ROCKER PIPE LENGTH (mm)
150 TO 600	600
GREATER THAN 600 TO 750	1000
GREATER THAN 750	1250



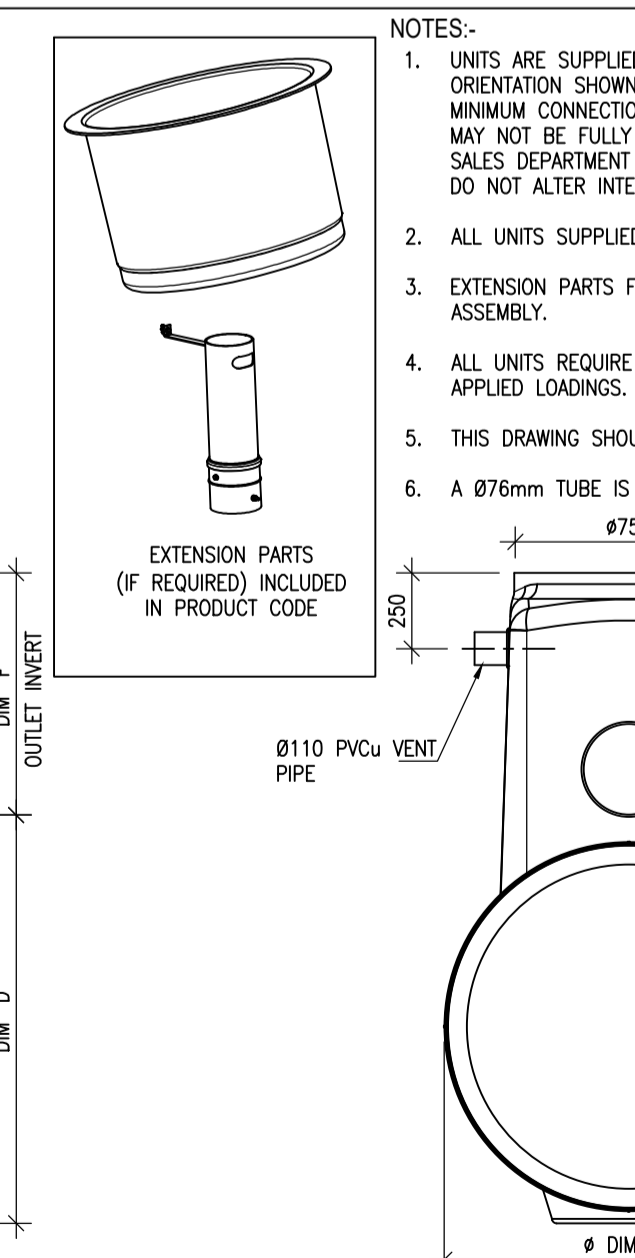
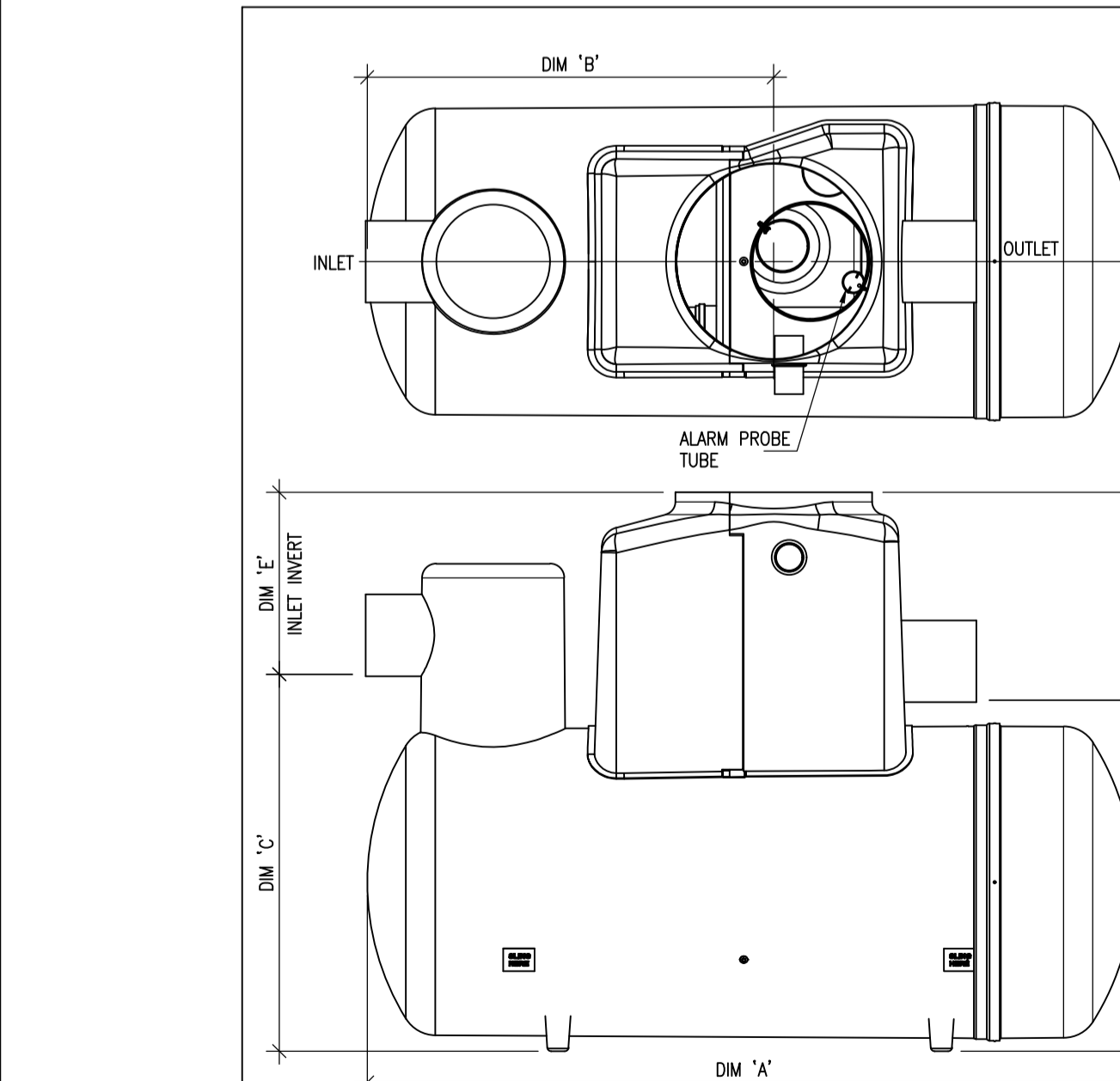
TYPICAL MANHOLE DETAIL
 <3m GROUND TO SOFFIT DEPTH
 A1 SCALE: 1:25
 A3 SCALE: 1:50



INDICATIVE INFILTRATION DETAIL
 A1 SCALE: 1:10

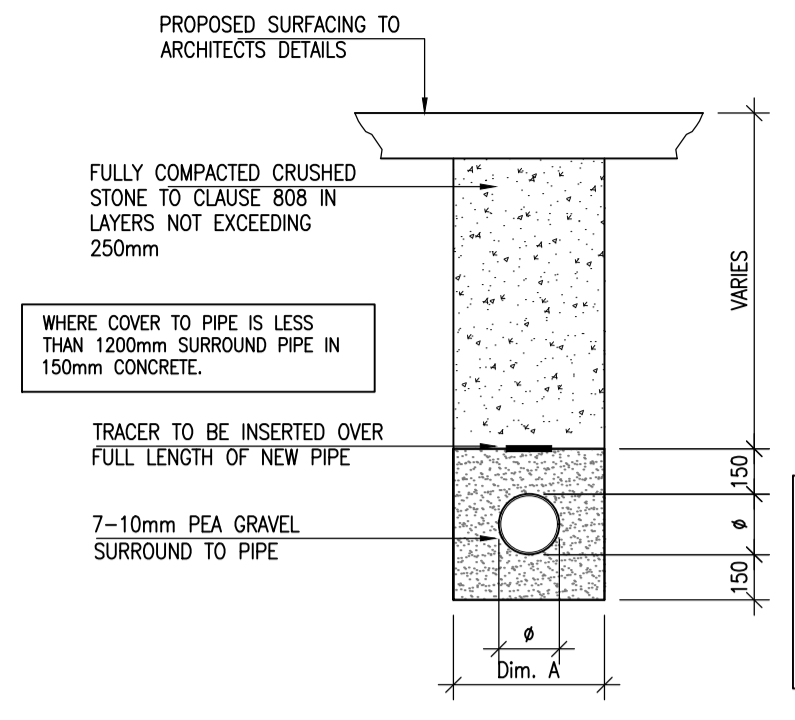


TYPICAL NEW SERVICES MANHOLE DETAIL - DUCTILE IRON COVER
 A1 SCALE: 1:25
 A3 SCALE: 1:50

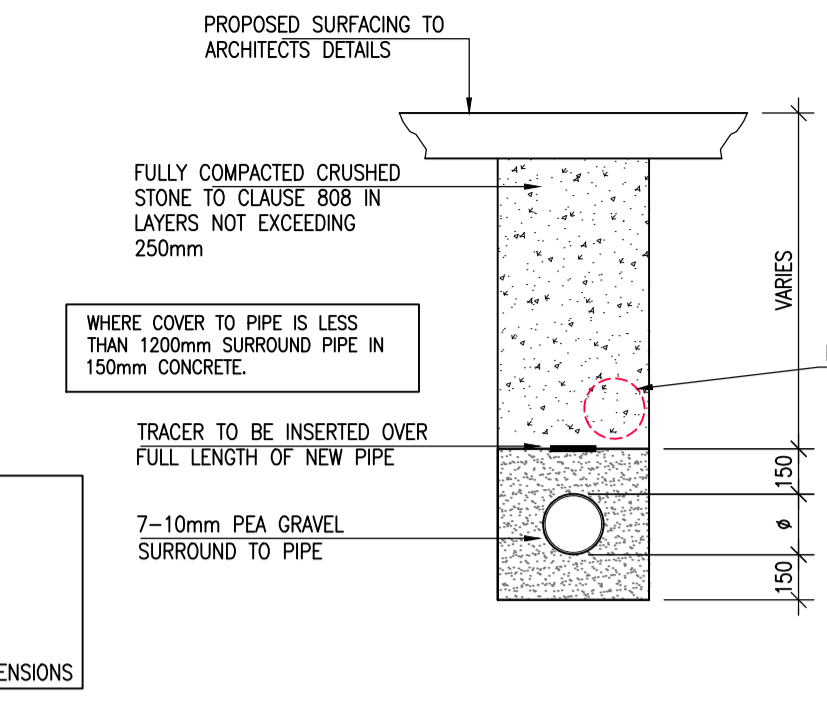


UNIT REF NO.	NOMINAL FLOW	DIM 'A' (mm)	DIM 'B' (mm)	DIM 'C' (mm)	DIM 'D' (mm)	DIM 'E' (mm)	DIM 'F' (mm)	DIM 'G' (mm)	DIM 'H' (mm)	STD. PIPE Ø	APPROX EMPTY WEIGHT (KGS)	FALL ACROSS UNIT
NSBE010	10 L/s	2069	1096	1450	1350	700	800	2150	1220	315	160	100
NSBE020	20 L/s	3893	2016	1450	1350	700	800	2150	1220	375	220	100

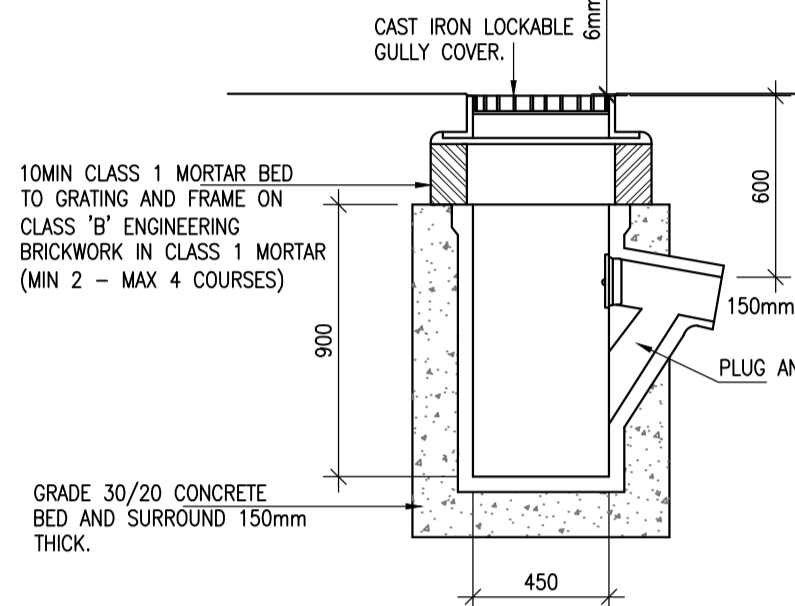
NSBE010, NSBE020 KLARGESTER SEPARATOR



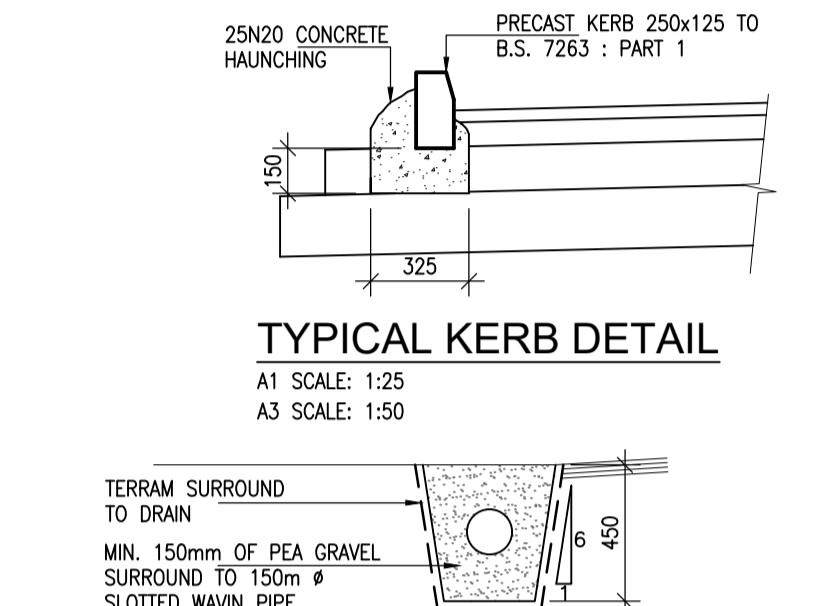
TYPICAL TRENCH REINSTATEMENT
 A1 SCALE: 1:25
 A3 SCALE: 1:50



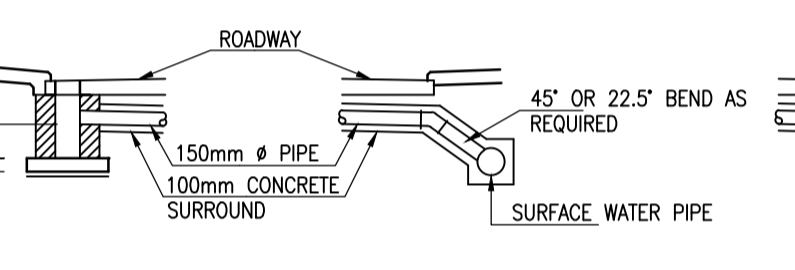
TYPICAL DRAIN REPLACEMENT
 A1 SCALE: 1:25
 A3 SCALE: 1:50



P.C. CONCRETE GULLY DETAIL
 A1 SCALE: 1:25
 A3 SCALE: 1:50



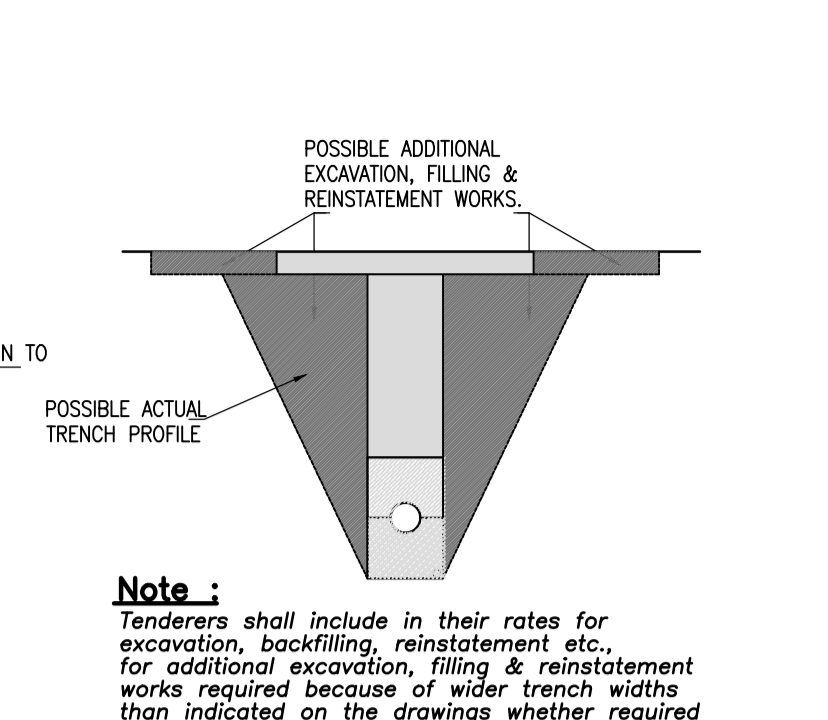
TYPICAL KERB DETAIL
 A1 SCALE: 1:25
 A3 SCALE: 1:50



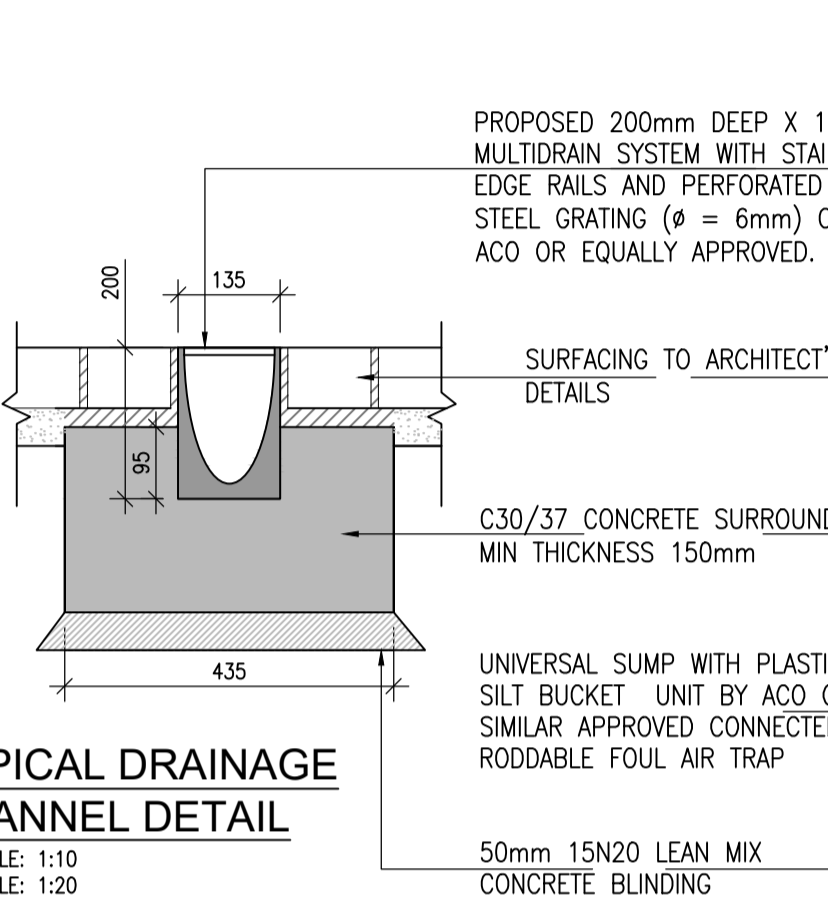
GULLY CONNECTION TO S.W. SEWER ACROSS ROADWAY
 A1 SCALE: 1:25
 A3 SCALE: 1:50



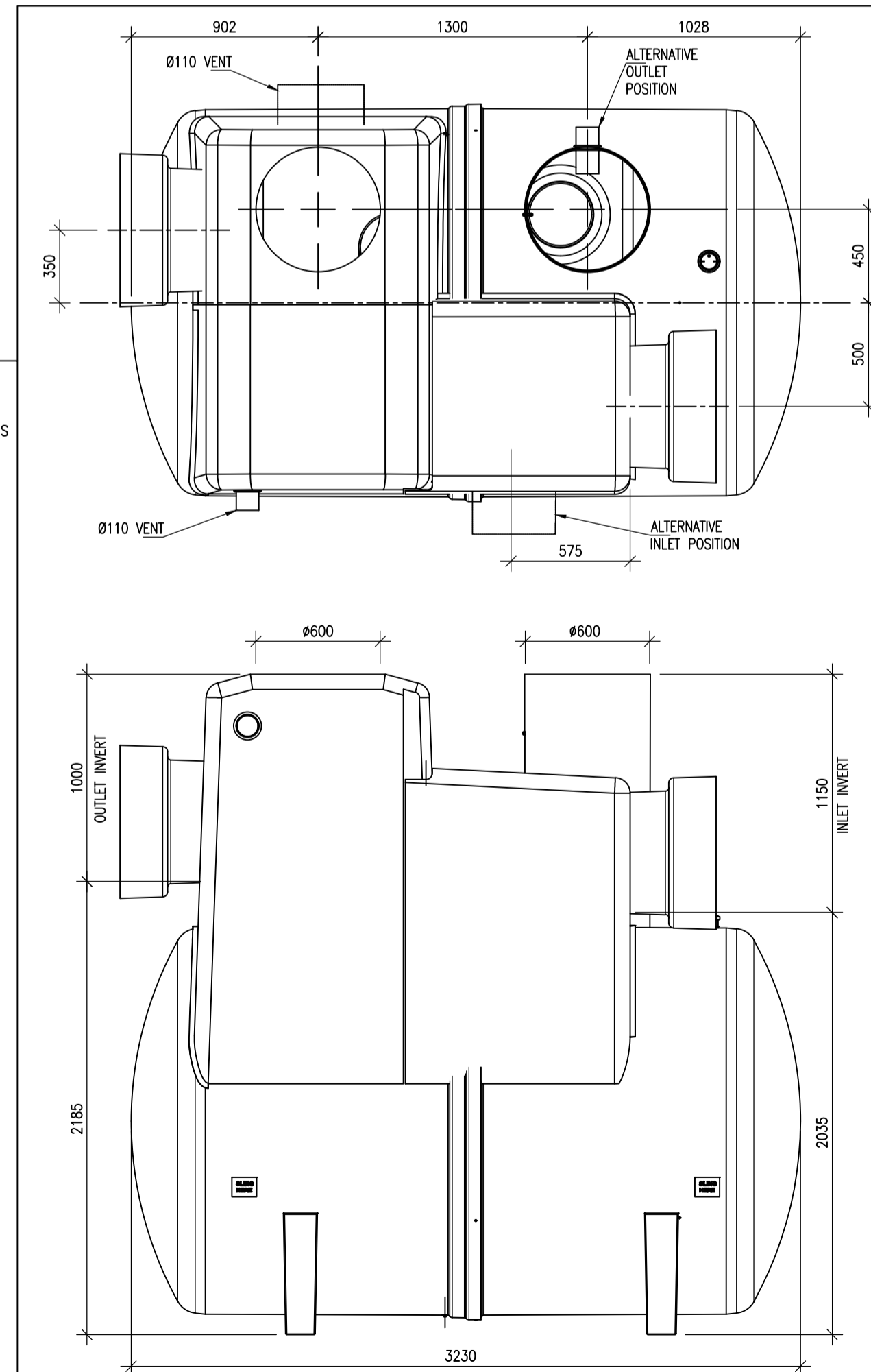
TYPICAL LAND DRAIN DETAIL
 A1 SCALE: 1:25
 A3 SCALE: 1:50



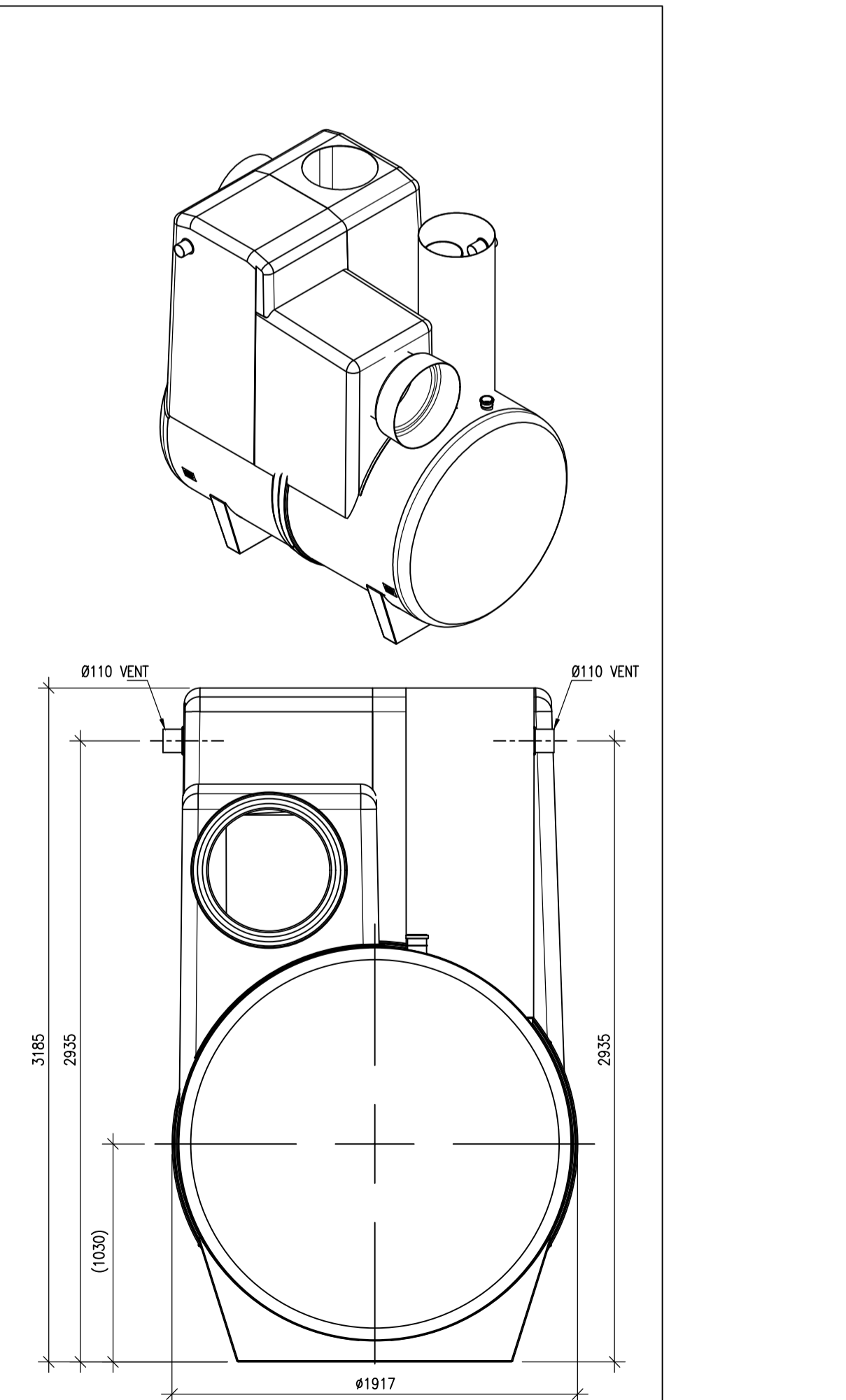
TYPICAL DRAINAGE CHANNEL SILTING DETAIL
 A1 SCALE: 1:10
 A3 SCALE: 1:20



TYPICAL DRAINAGE CHANNEL SILTING DETAIL
 A1 SCALE: 1:10
 A3 SCALE: 1:20



NSBE040 KLARGESTER SEPARATOR
 A1 SCALE: 1:10
 A3 SCALE: 1:20



NSBE040 KLARGESTER SEPARATOR
 A1 SCALE: 1:10
 A3 SCALE: 1:20

- Notes:**
- NO PART OF THIS DRAWING MAY BE REPRODUCED OR TRANSMITTED IN ANY FORM OR STORED IN ANY RETRIEVAL SYSTEM OF ANY NATURE WITHOUT THE WRITTEN PERMISSION OF MALONE O'REGAN CONSULTING ENGINEERS AS COPYRIGHT HOLDER EXCEPT AS AGREED FOR USE ON THE PROJECT FOR WHICH THE DRAWING WAS ORIGINALLY ISSUED.
 - THE APPOINTMENT OF THE PROJECT SUPERVISOR DESIGN PROCESS IS THE CLIENT'S RESPONSIBILITY.
 - ALL DIMENSIONS IN mm UNLESS NOTED OTHERWISE.
 - THE CONTRACTOR SHALL CHECK ALL DIMENSIONS PRIOR TO COMMENCEMENT OF CONSTRUCTION. DISCREPANCIES SHALL BE REPORTED TO THIS OFFICE IN WRITING.
 - THIS DRAWING TO BE READ IN ACCORDANCE WITH ALL RELEVANT ENGINEERS' DRAWINGS AND SPECIFICATIONS.

Note:
 Tenderers shall include in their rates for excavation, backfilling, reinstatement etc., for additional excavation, filling & reinstatement works required because of wider trench widths than indicated on the drawings whether required to provide additional working space or for trench stability and safety.

Rev.	Description	Date	Drawn	Chkd	Appr
P	PLANNING ISSUE	24.07.2020	JD	PR	PR

THIS DRAWING TO BE USED FOR PLANNING PURPOSES ONLY

ADR
MALONE O'REGAN
 CONSULTING ENGINEERS

3-4 Canada Street
 Waterford
 Co. Waterford.
 X91 V52K

Tel: +353 51 876 855
 Email: waterford@moroe.ie
 Web: www.maloneoregan.com

Offices also in:
 DUBLIN : Tel: +353 1 260 2655 Email: dublin@moroe.ie
 GALWAY: Tel: +353 91 531 069 Email: galway@moroe.ie
 LONDON: Tel: +44 208 5281685 Email: london@moroe.ie

Client: **KILKENNY COUNTY COUNCIL**

Job: **ABBAY QUARTER URBAN PARK AND STREET**

Drawing: **SITE DEVELOPMENT DETAILS SHEET 1**

Job No	Drw No	Stage	Revision	Scale
W14017	P815	PL	P	A1 AS SHOWN A3 AS SHOWN