

NOTES:

SPECIFICATION
The valve cover and frame are to be in accordance with the latest edition of EN 124 : Gully traps for vehicular and pedestrian areas.

CONSTRUCTION MATERIAL
The material is to be in accordance with EN 124 Section 6.

LOADING WEIGHT
Design load 400 kN (40 Tonnes), suitable for group 4 areas, i.e. carriageways, Parking Areas for all-vehicles.

MARKINGS
The cover is to be marked "GAS" in a minimum size 25mm lettering.

COVER LOCKING ARRANGEMENT
Bayonet type with chain welded to both cover and frame.

DIMENSIONS
All dimensions are generally in accordance with above.

SLOT
At least one prising slot to be provided for the purpose of opening the cover.

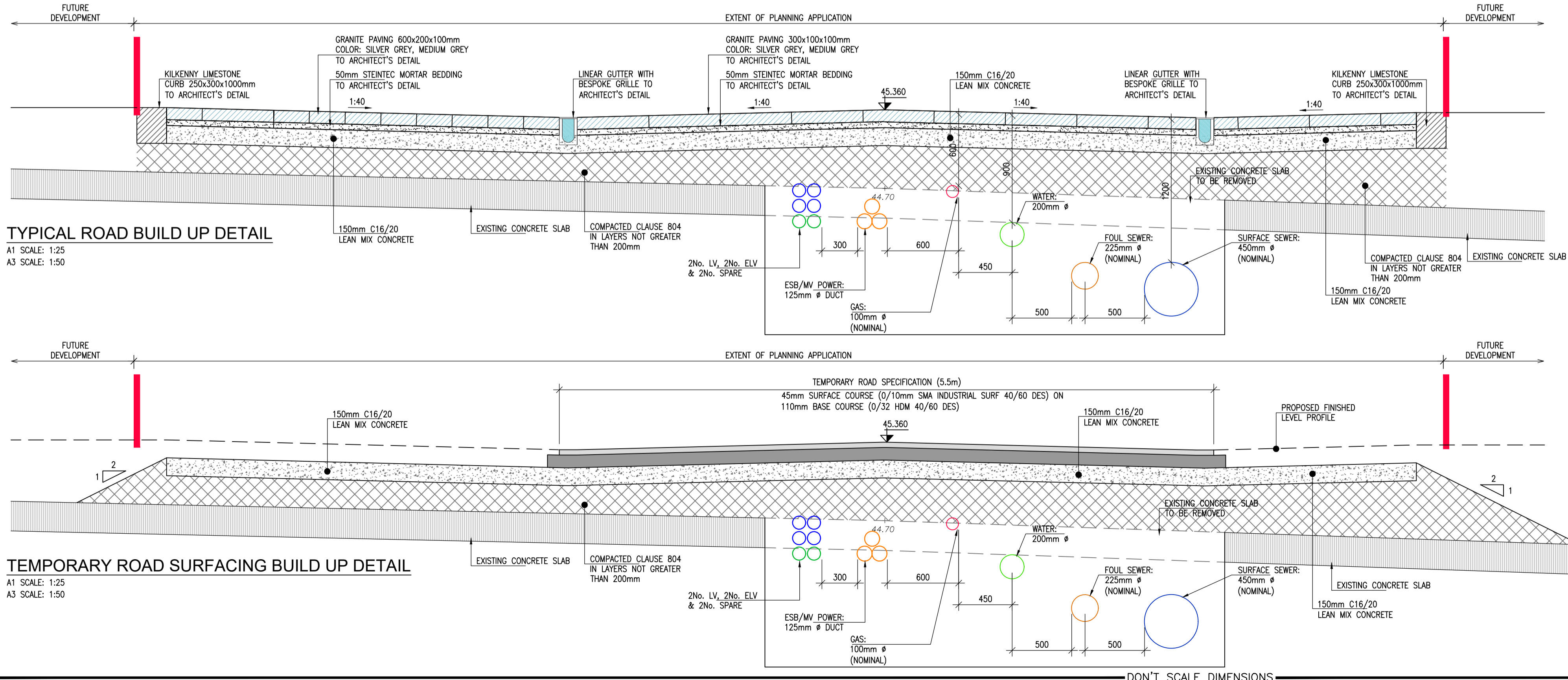
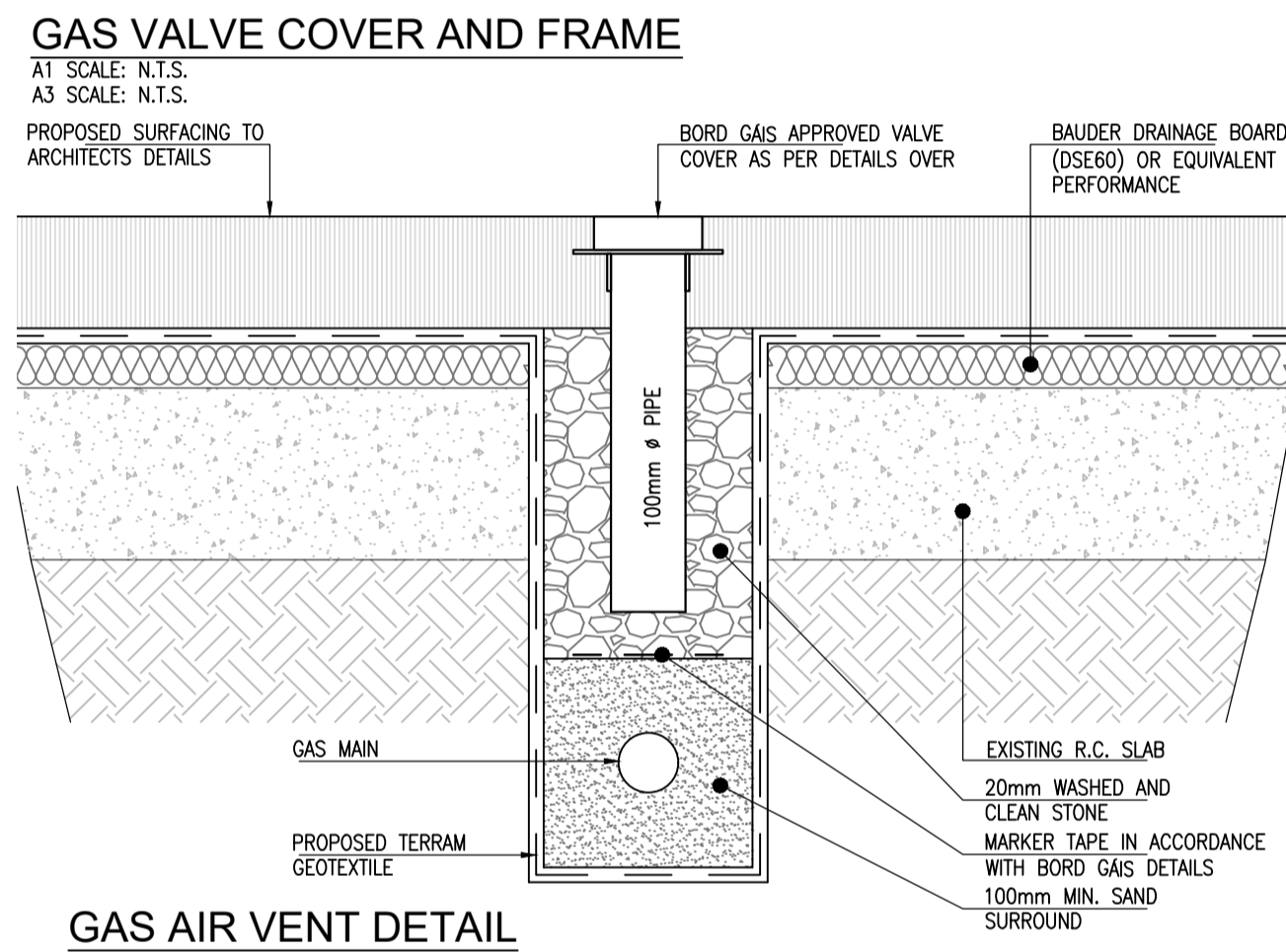
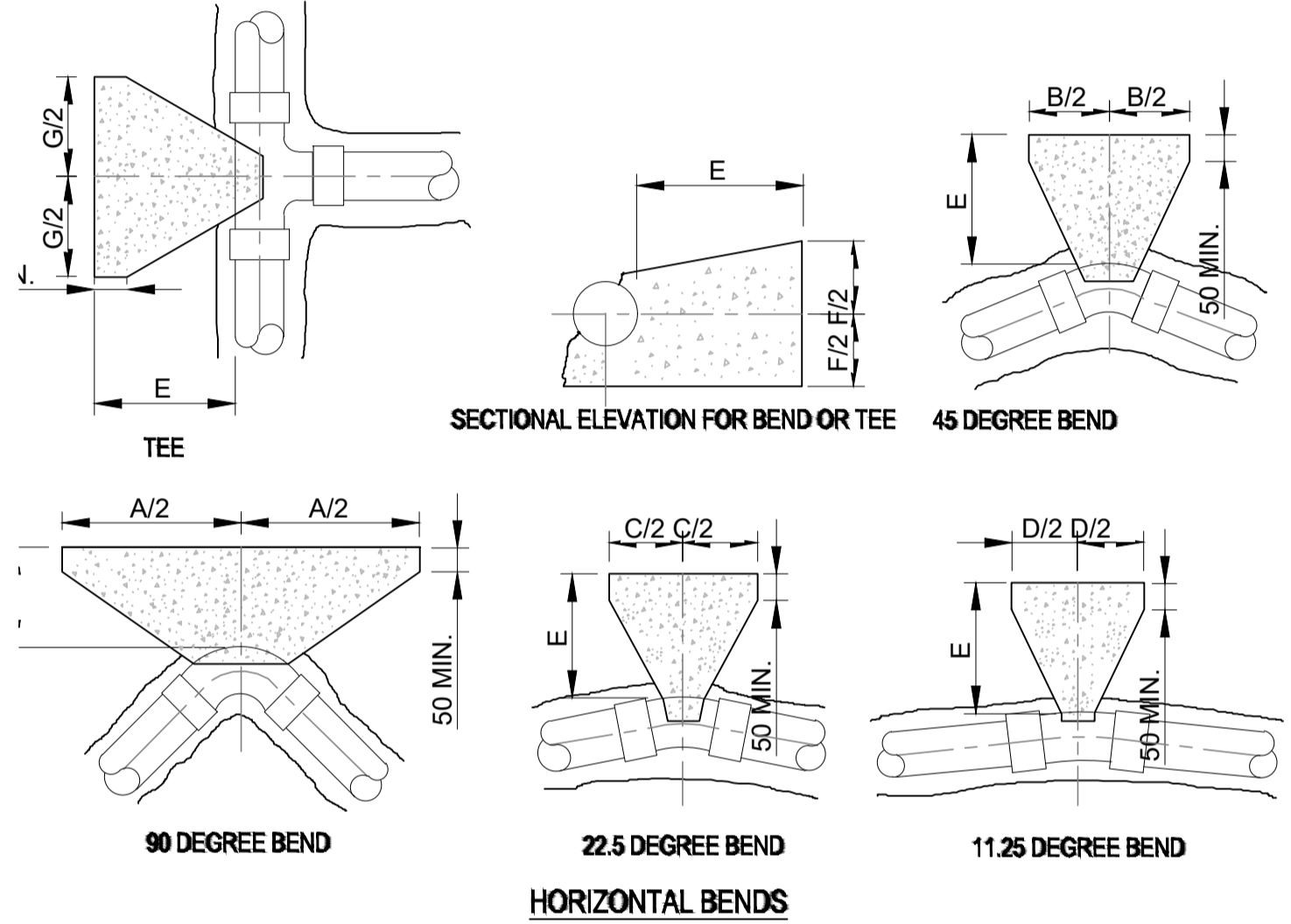
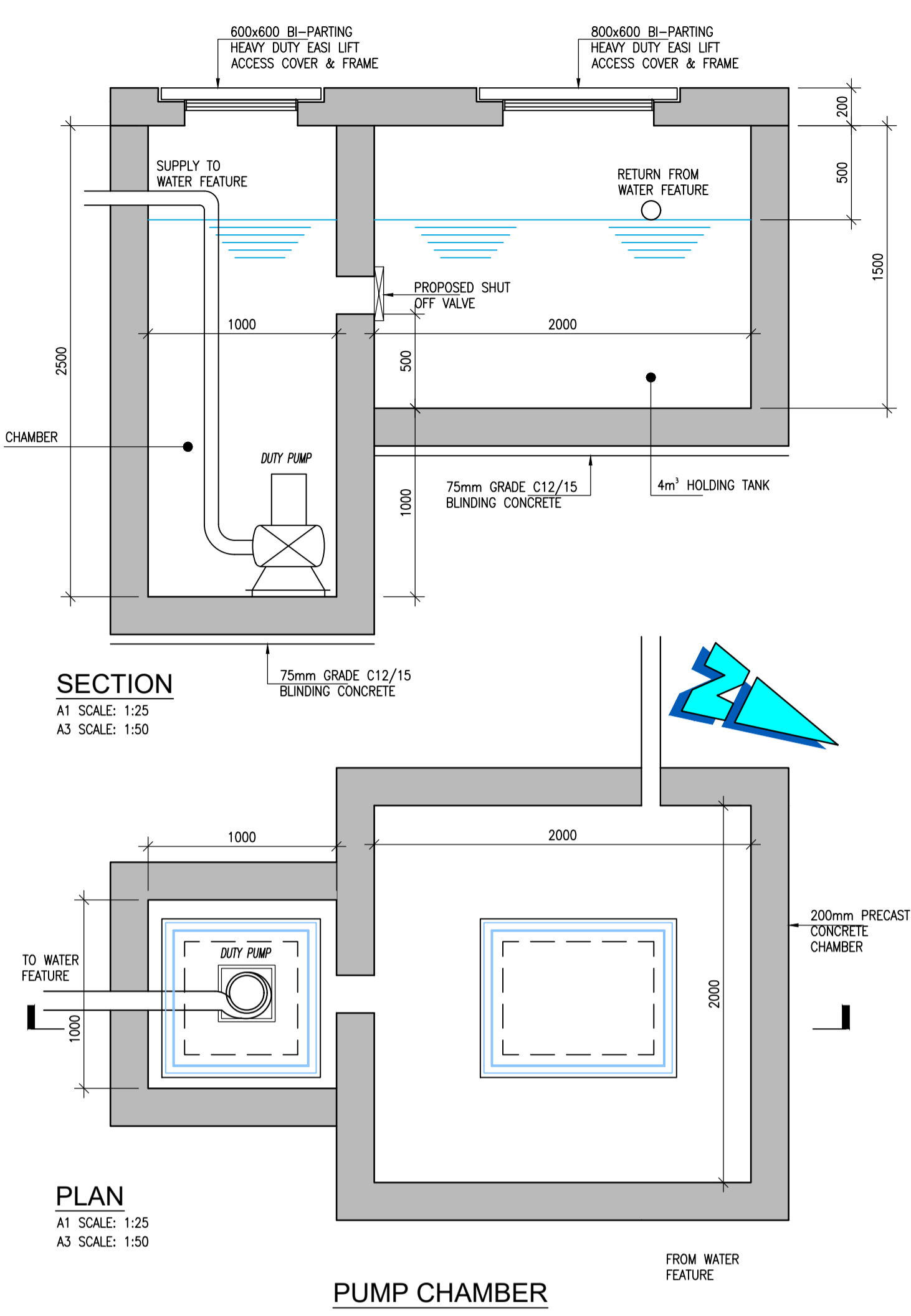
NOTE
The shape of the opening is to be square.

1	13/06/20	PRELIMINARY ISSUE	MS	
ISSUE	DATE	REVISION	DRAWN	APPROVED

BORD GÁS NETWORKS

DISTRIBUTION BUSINESS UNIT, BLOCK 2, NEW ROAD, SANDYFORD BUSINESS PARK, DUBLIN 18, IRELAND. TEL: 01 201 803888 FAX: 01 201 803889

TITLE	VALVE COVER AND FRAME (HEAVY DUTY EN 124:1994)	DRAWN	DATE
SCALE	Drawing Number	Project Number	MS 160666
N.T.S.	DN /ST /123		SHEET 1 OF 1



Notes:

- NO PART OF THIS DRAWING MAY BE REPRODUCED OR TRANSMITTED IN ANY FORM OR STORED IN ANY RETRIEVAL SYSTEM OF ANY NATURE WITHOUT THE WRITTEN PERMISSION OF MALONE O'REGAN CONSULTING ENGINEERS AS COPYRIGHT HOLDER EXCEPT AS AGREED FOR USE ON THE PROJECT FOR WHICH THE DRAWING WAS ORIGINALLY ISSUED.
- THE APPOINTMENT OF THE PROJECT SUPERVISOR DESIGN PROCESS IS THE CLIENT'S RESPONSIBILITY.
- ALL DIMENSIONS IN mm UNLESS NOTED OTHERWISE.
- THE CONTRACTOR SHALL CHECK ALL DIMENSIONS PRIOR TO COMMENCEMENT OF CONSTRUCTION. DISCREPANCIES SHALL BE REPORTED TO THIS OFFICE IN WRITING.
- THIS DRAWING TO BE READ IN ACCORDANCE WITH ALL RELEVANT ENGINEERS' DRAWINGS AND SPECIFICATIONS.

P	PLANNING ISSUE	24.07.2020	JD	PR	PR
Rev.	Description	Date	Drawn	Chkd	Appr

THIS DRAWING TO BE USED FOR PLANNING PURPOSES ONLY

ADR MALONE O'REGAN CONSULTING ENGINEERS

3-4 Canada Street
Waterford
Co. Waterford.
X91 V52K

Tel: +353 51 876 855
Email: waterford@morco.ie
Web: www.maloneoregan.com

Offices also in:
DUBLIN : Tel: +353 1 260 2655 Email: dublin@morco.ie
GALWAY : Tel: +353 91 531 069 Email: galway@morco.ie
LONDON: Tel: +44 208 5281685 Email: london@morco.ie

Client: **KILKENNY COUNTY COUNCIL**

Job: **ABBAY QUARTER URBAN PARK AND STREET**

Drawing: **SITE DEVELOPMENT DETAILS SHEET 2**

Job No	Drw No	Stage	Revision	Scale
W14017	P816	PL	P	A1 AS SHOWN A3 AS SHOWN