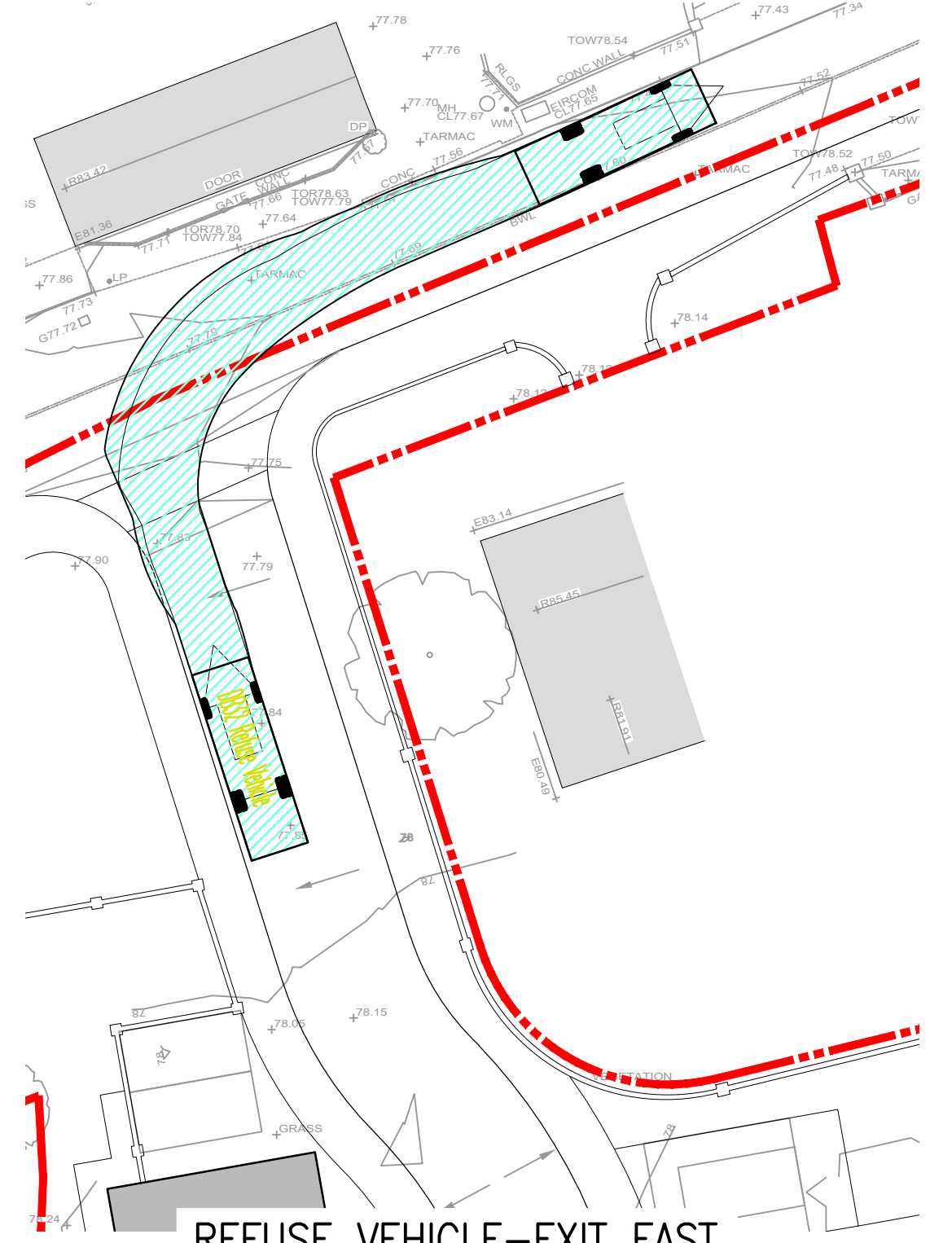


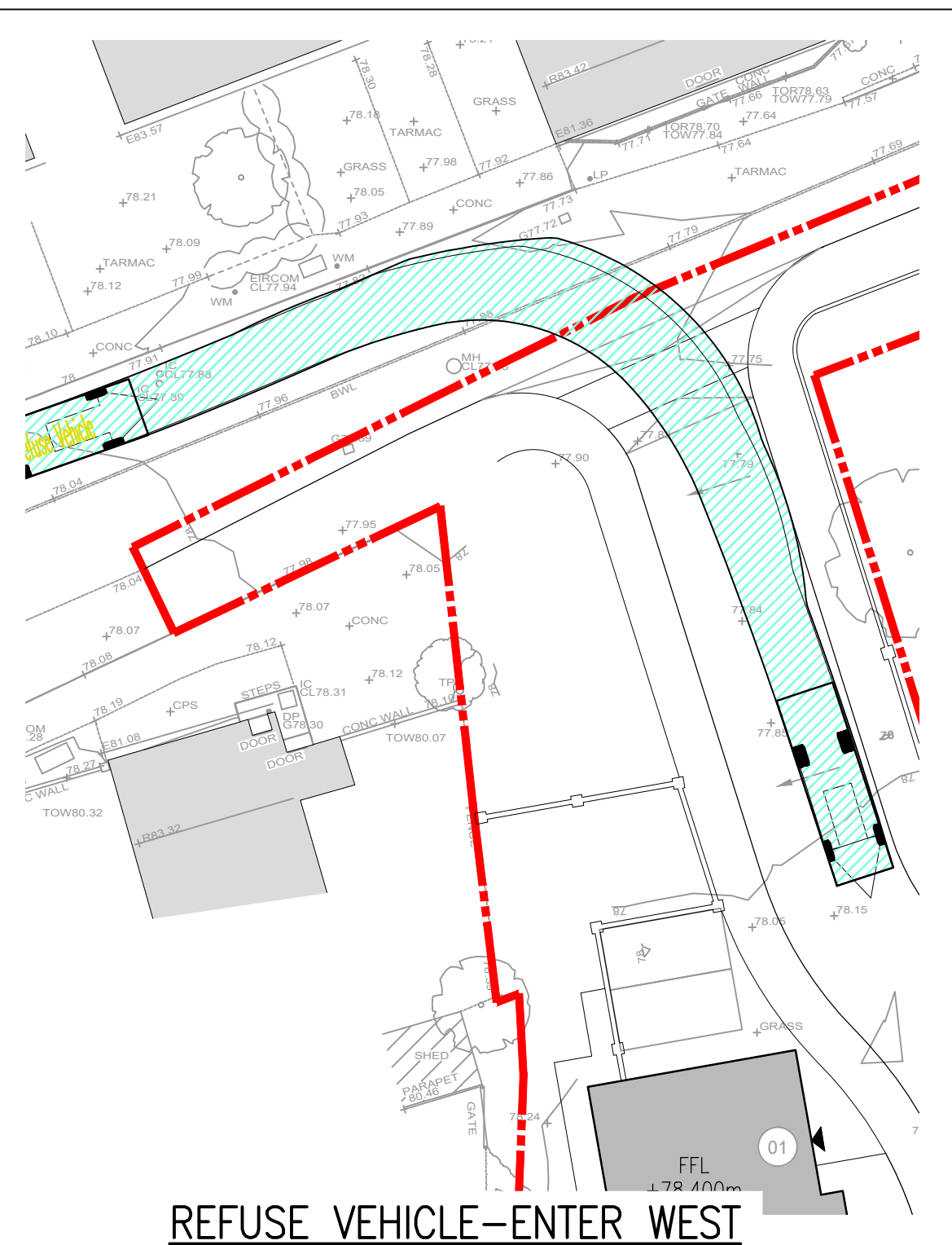


GENERAL LEGEND

- PROPOSED SITE BOUNDARY
- 6.46 + EXISTING SPOT LEVEL & ELEVATION
- FFL 00.000m PROPOSED FINISHED FLOOR LEVEL
- EXT. 00.000m EXISTING LEVEL
- 00.000m PROPOSED SPOT LEVEL
- DENOTES EXISTING BUILDING
- PROPOSED BUILDING
- PROPOSED UNIT NUMBER
- PROPOSED ENTRANCE ARROW



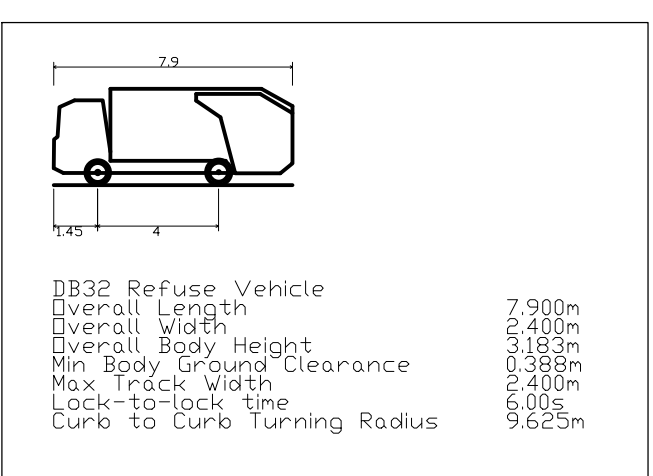
REFUSE VEHICLE-EXIT EAST
SCALE 1:250 @ A1 / 1:500 @ A3



REFUSE VEHICLE-ENTER WEST
SCALE 1:250 @ A1 / 1:500 @ A3

AUTORACK-REFUSE VEHICLE
SCALE 1:250 @ A1 / 1:500 @ A3

REFUSE VEHICLE-EXIT WEST
SCALE 1:250 @ A1 / 1:500 @ A3



ENGINEERS IRELAND
cpd ACCREDITED COMPANY

© HAYES HIGGINS PARTNERSHIP

- NOTES:**
- THIS DRAWING TO BE READ IN CONJUNCTION WITH ALL RELEVANT ARCHITECTS, SERVICE ENGINEERS DRAWINGS & SPECIFICATIONS.
 - ALL LEVELS ARE STRUCTURAL UNLESS NOTED OTHERWISE.
 - ALL WORKS TO BE CARRIED OUT IN ACCORDANCE WITH THE RELEVANT BUILDING REGULATIONS.
 - DO NOT SCALE - WORK TO FIGURE DIMENSIONS ONLY.

Rev.	Date	Description	Dwn.	Chkd.	Appvd.
01	23.04.24	DESIGN INTENT ISSUE	GG	TD	NP

Status: **DESIGN INTENT**

Drawing Title: **AUTORACK REFUSE VEHICLE**

Date: **18.04.24** Scale: **1:250 @ A1 / 1:500 @ A3**
 Drawn By: **G.GOODSON** Checked By: **T.DELANEY** Approved By: **N.PATTERSON**

Client: **KILKENNY COUNTY COUNCIL**

Job Description: **PROPOSED HOUSING DEVELOPMENT FRESHFORD, CO.KILKENNY**

Project No: **23KK009** Drawing Ref: **C-041** Rev: **DI**

Hayes Higgins Partnership
Gas House Lane, Kilkenny.

Hayes Higgins Partnership
Gas House Lane, Kilkenny.
E-mail: info@hayeshiggins.com
28 Fitzwilliam Square, Dublin 2. (01) 4612321 (01) 662804 adn@hayeshiggins.com