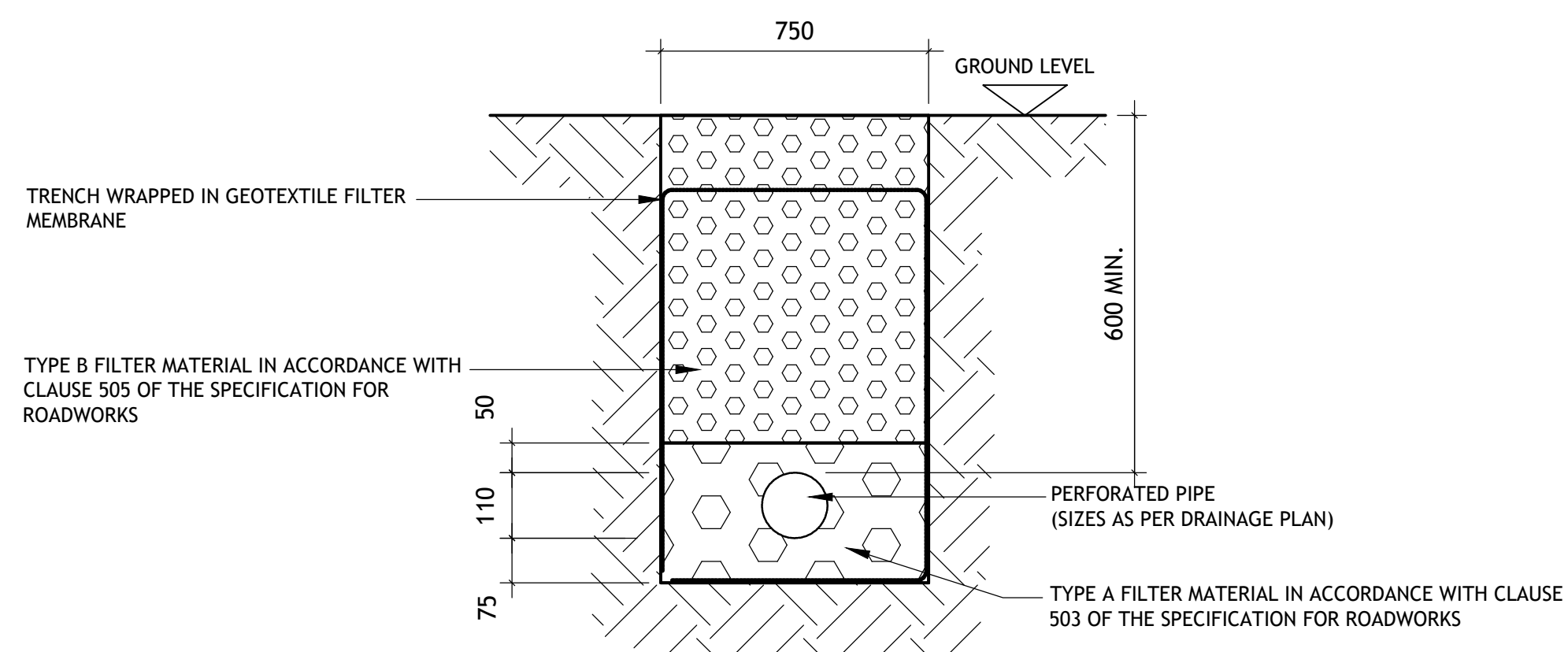
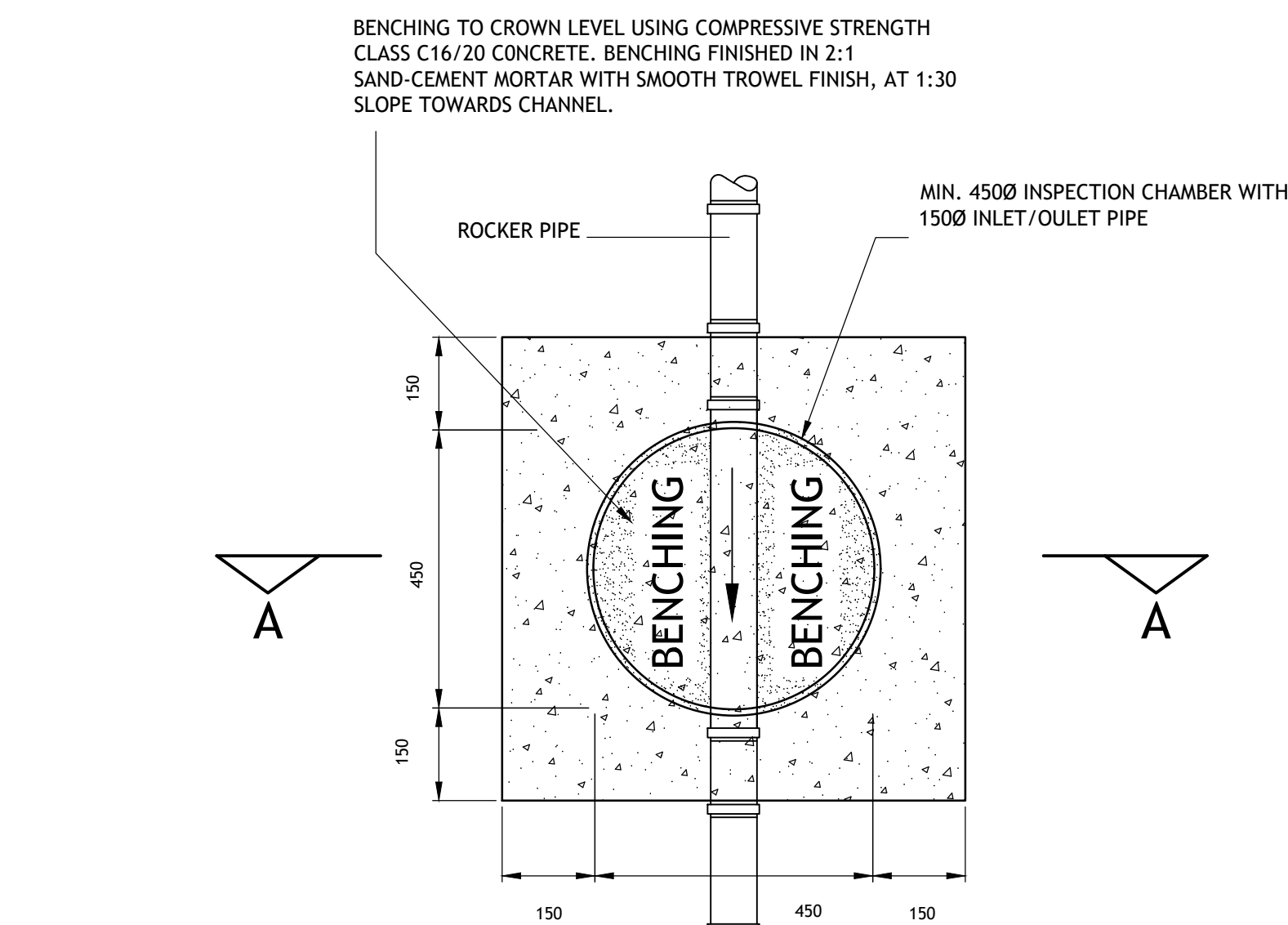


SECTION A-A



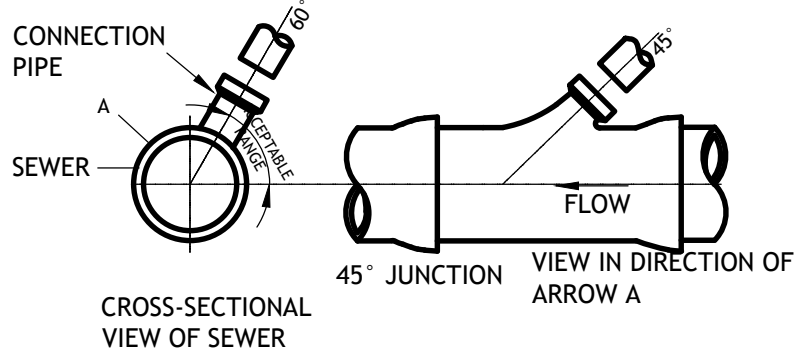
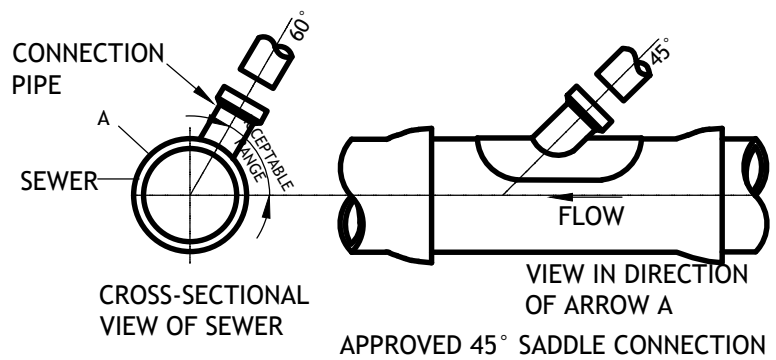
FILTER DRAIN TYPICAL SECTION
NOT TO SCALE



INSPECTION CHAMBER BASE

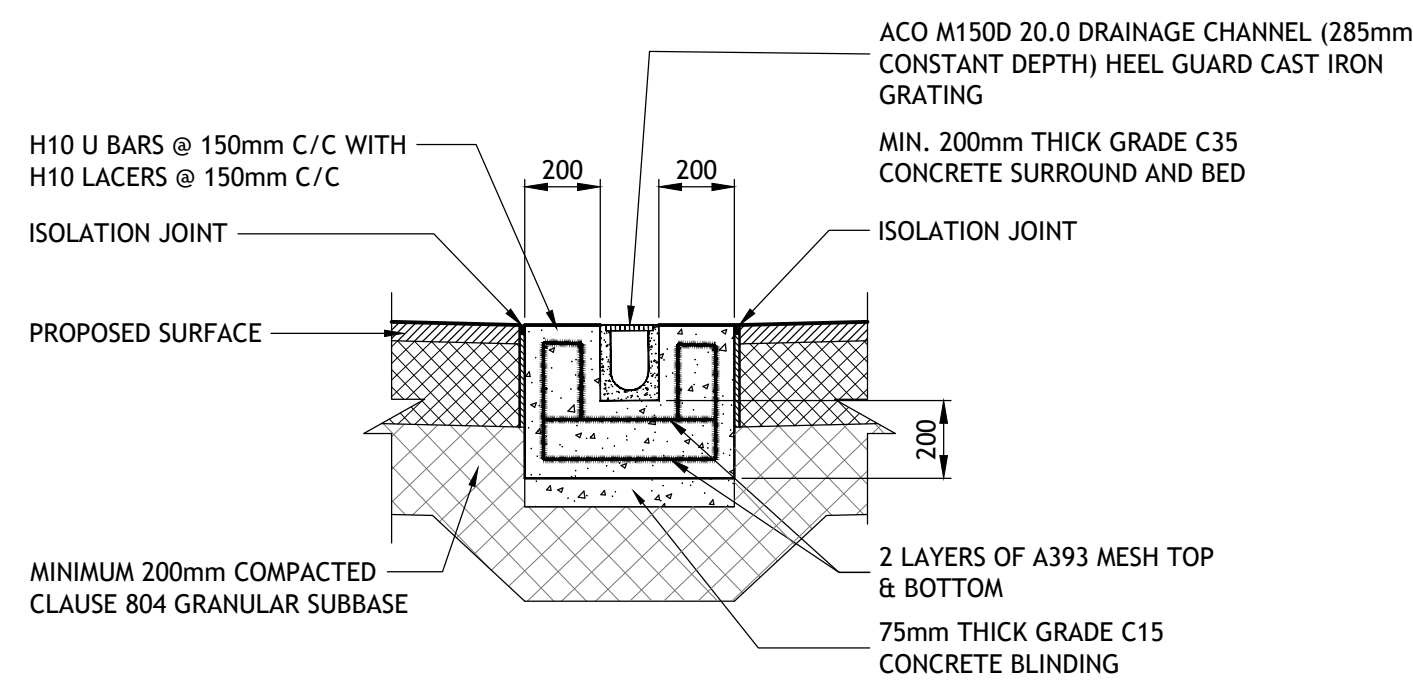
INSPECTION CHAMBER UP TO 1.0m DEEP

SCALE 1:10



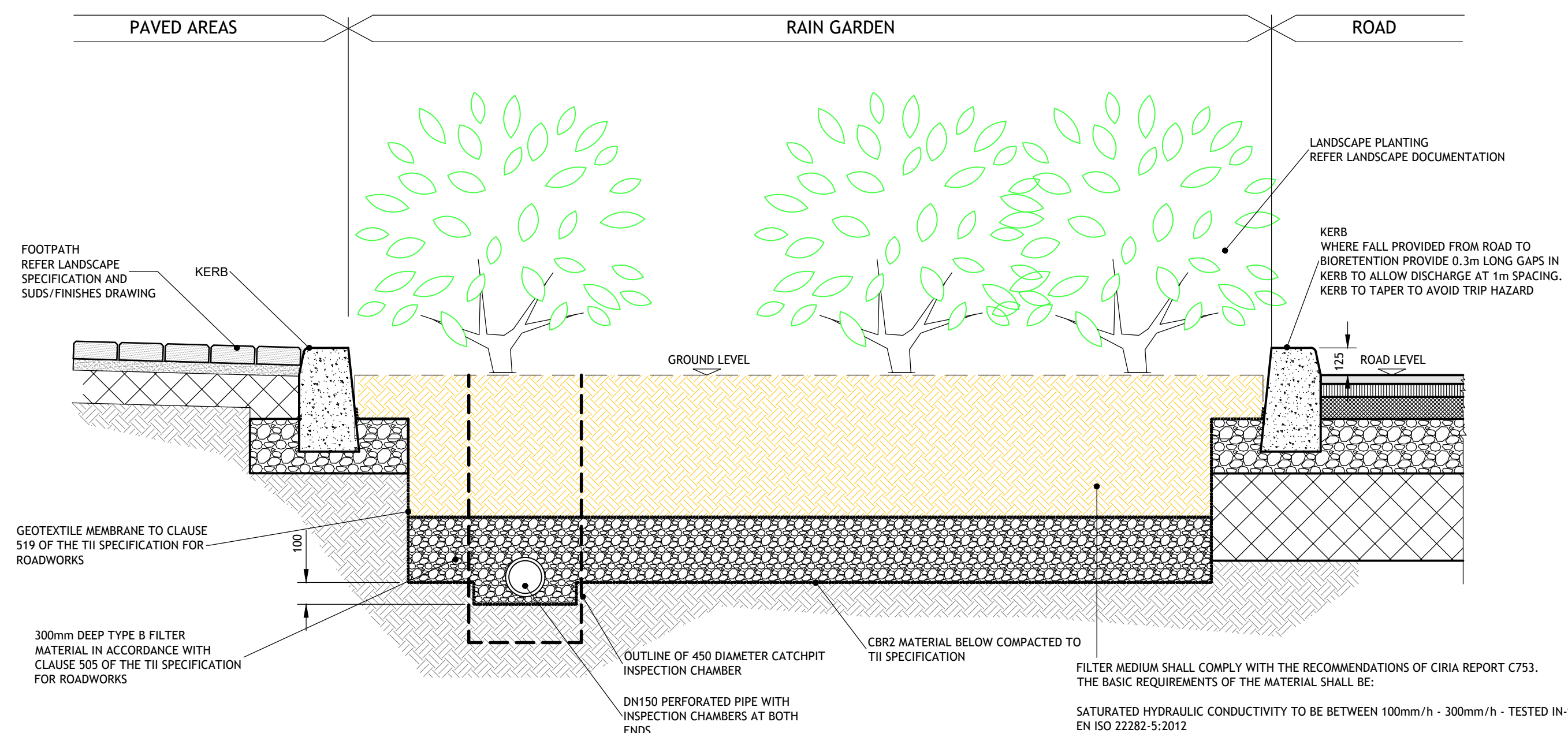
TYPICAL SEWER / SERVICE PIPE CONNECTION

SCALE 1:10



CHANNEL DRAIN DETAIL

SCALE 1:20



RAIN GARDEN - TYPICAL SECTION

SCALE 1:20

FILTER MEDIUM SHALL COMPLY WITH THE RECOMMENDATIONS OF CIRIA REPORT C753. THE BASIC REQUIREMENTS OF THE MATERIAL SHALL BE:
SATURATED HYDRAULIC CONDUCTIVITY TO BE BETWEEN 100mm/h - 300mm/h - TESTED IN-SITU USING THE SINGLE RING INFILTRATION TEST - EN ISO 22282-15:2012
POROSITY > 30% (WHEN TESTED IN ACCORDANCE WITH BS 1377-2:1990)
PARTICLE SIZE DISTRIBUTION

6mm	100% PASSING
2mm	90-100% PASSING
0.6mm	40-70% PASSING
0.2mm	5-20% PASSING
0.063mm	<5% PASSING

ORGANIC WATER CONTENT - 3-5% (w/w)

SOILS SHALL BE ASSESSED BY HORTICULTURIST TO ENSURE THAT IT WILL SUPPORT HEALTHY VEGETATION COMMUNITY. ANY COMPONENT FOUND TO CONTAIN HIGH LEVELS OF SALT, CLAY OR SILT PARTICLES OR OTHER EXTREMES WHICH MAY BE CONSIDERED RETARDANT TO PLANT GROWTH SHALL BE REJECTED. THE FILTER MEDIUM LAYER MATERIAL SHALL NOT BE COMPACTED WHEN PLACED. DEPTH TO LANDSCAPE SPECIFICATION, MAXIMUM 1.2M DEEP

Rev	Amendment	By	Date	Rev	Amendment	By	Date	Client:
C01	ISSUED FOR PLANNING	DAP	2024-12-19					