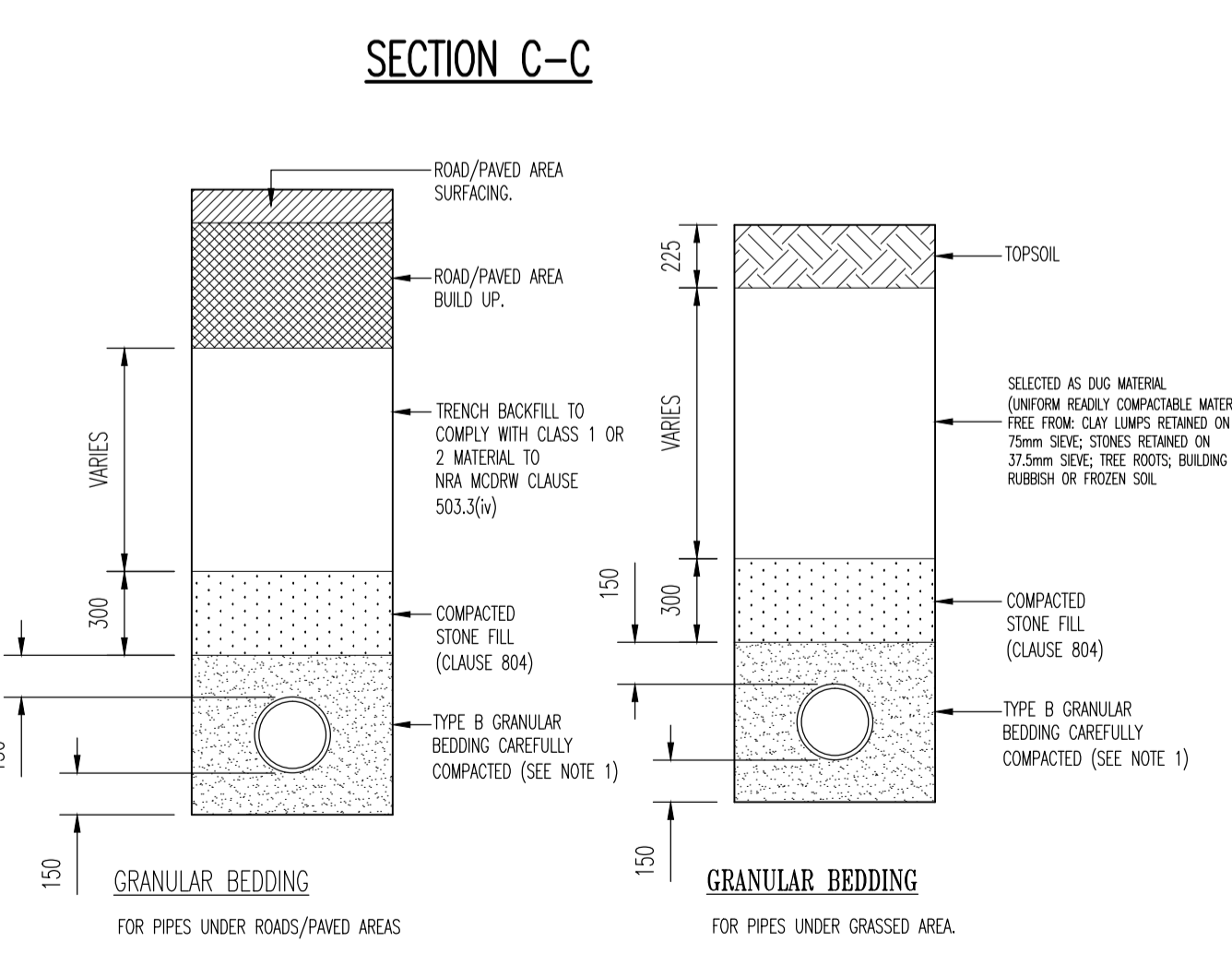
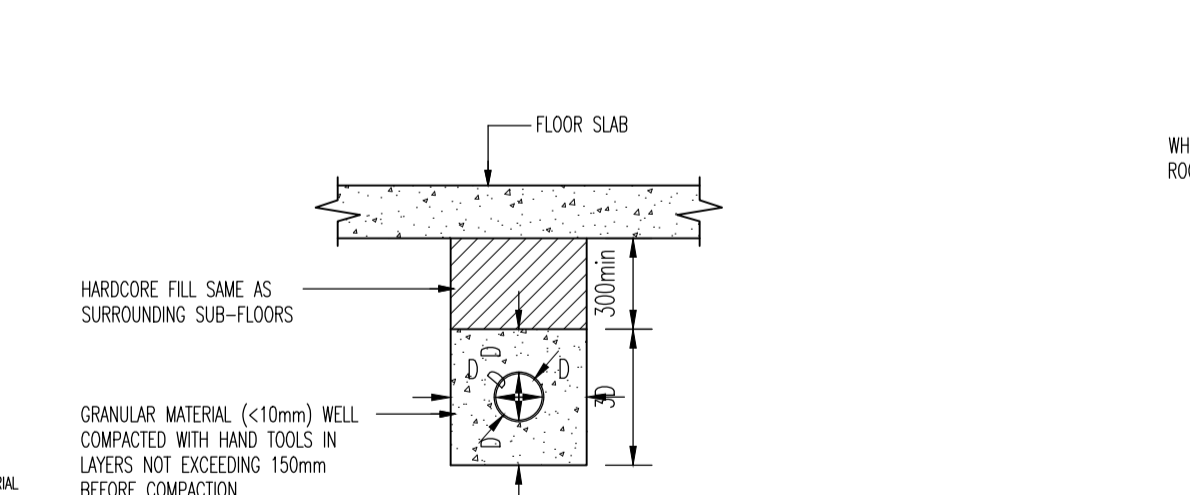
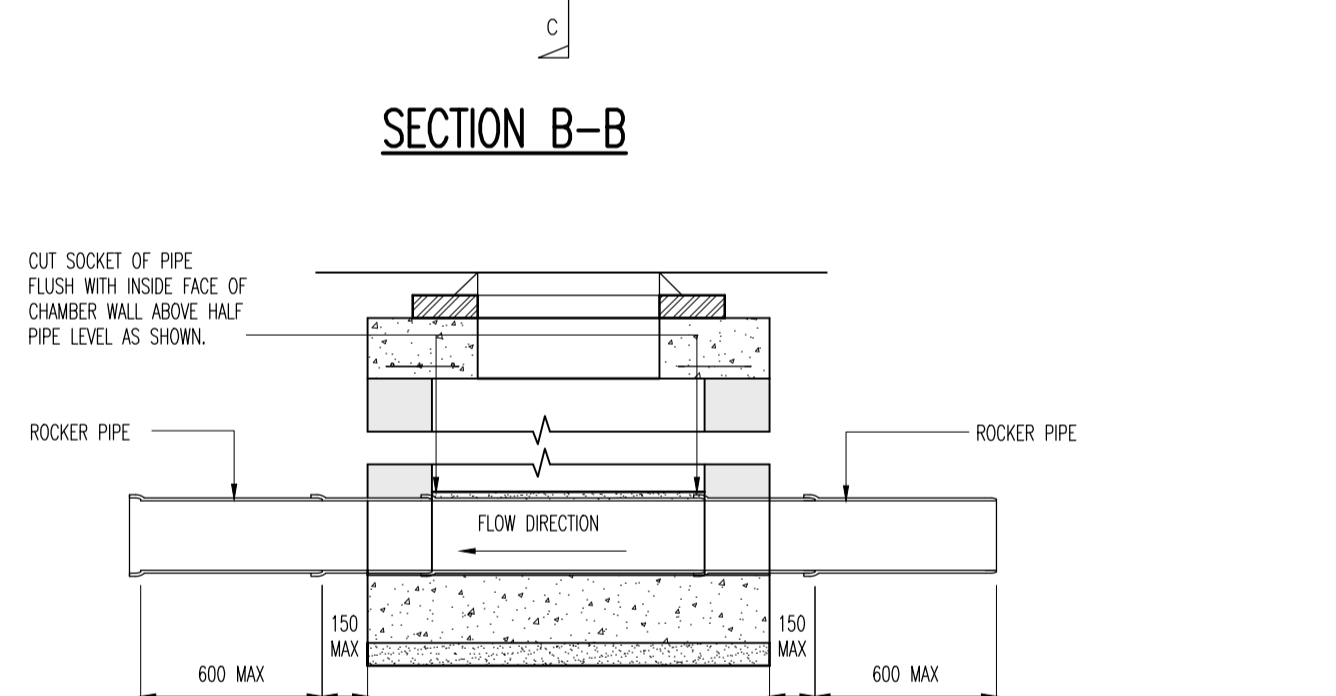
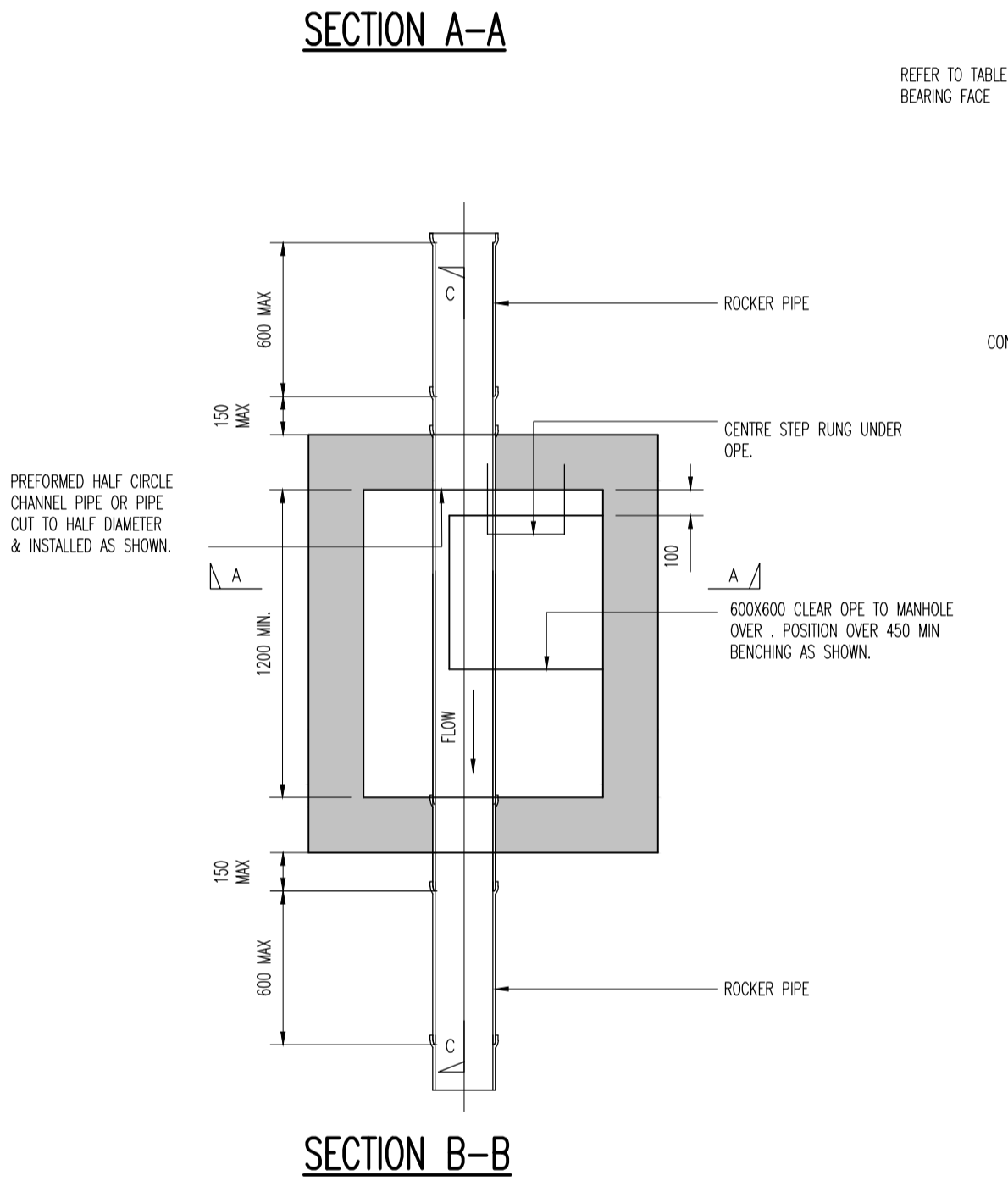
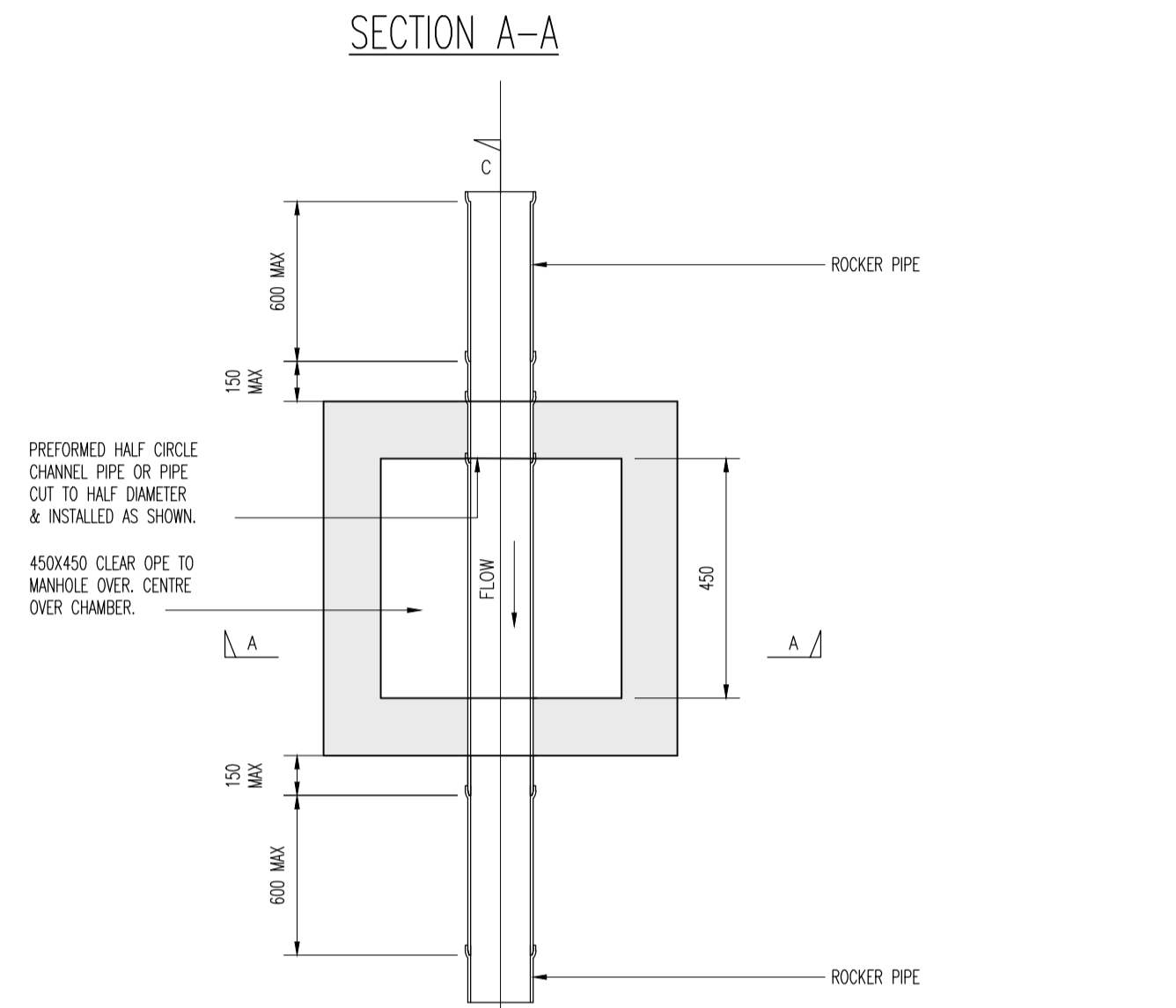
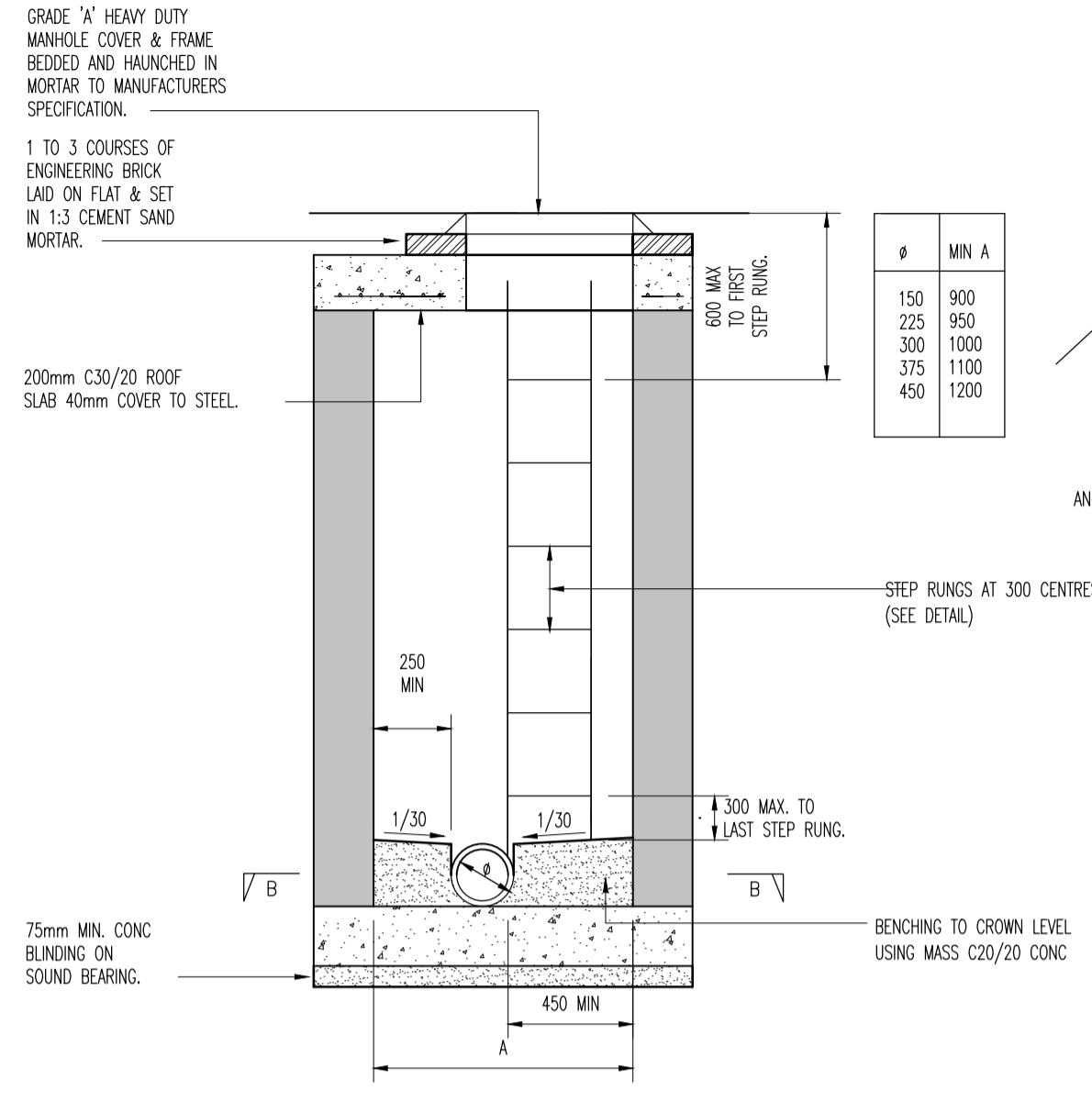
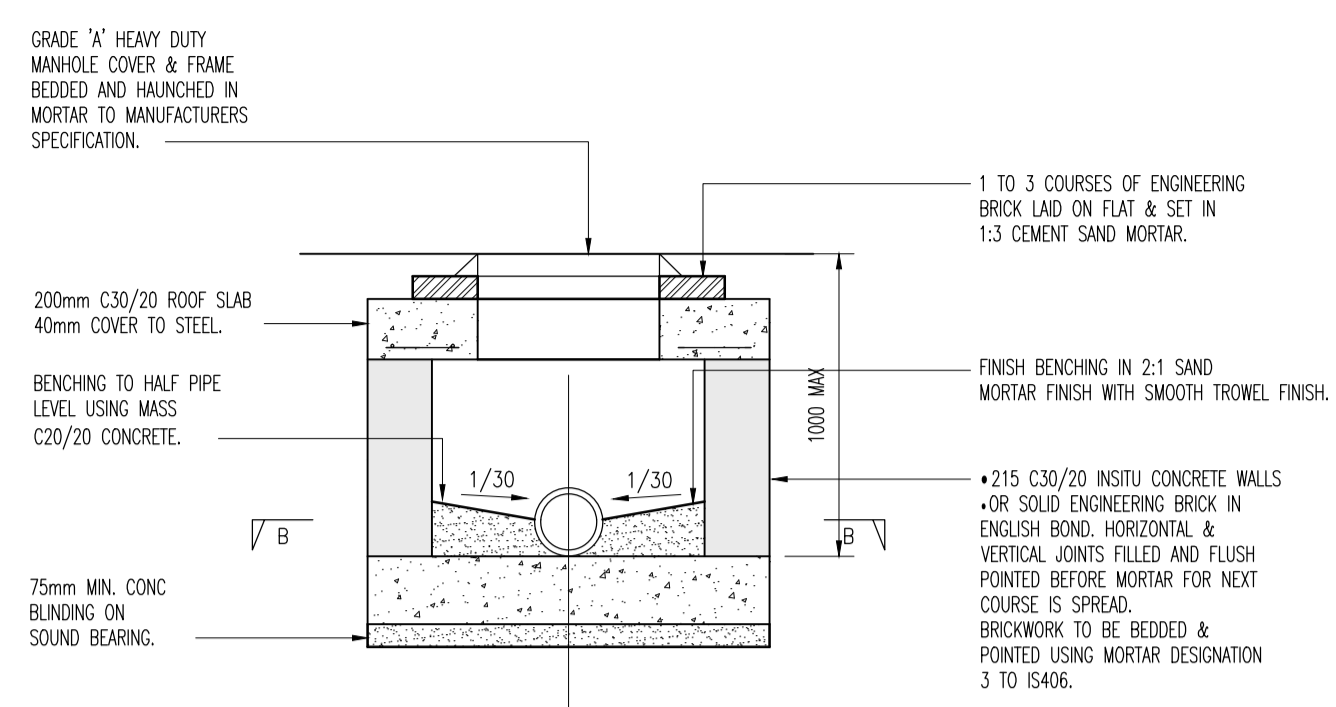


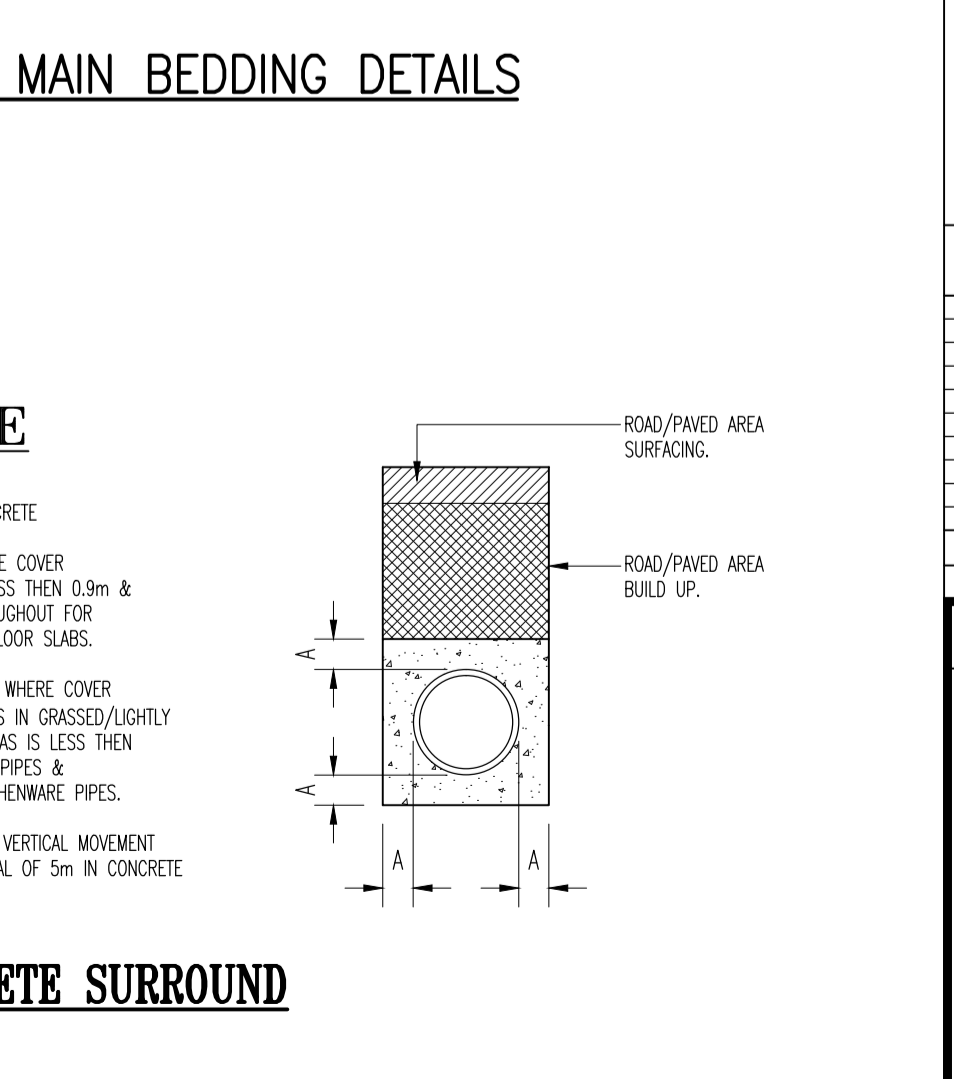
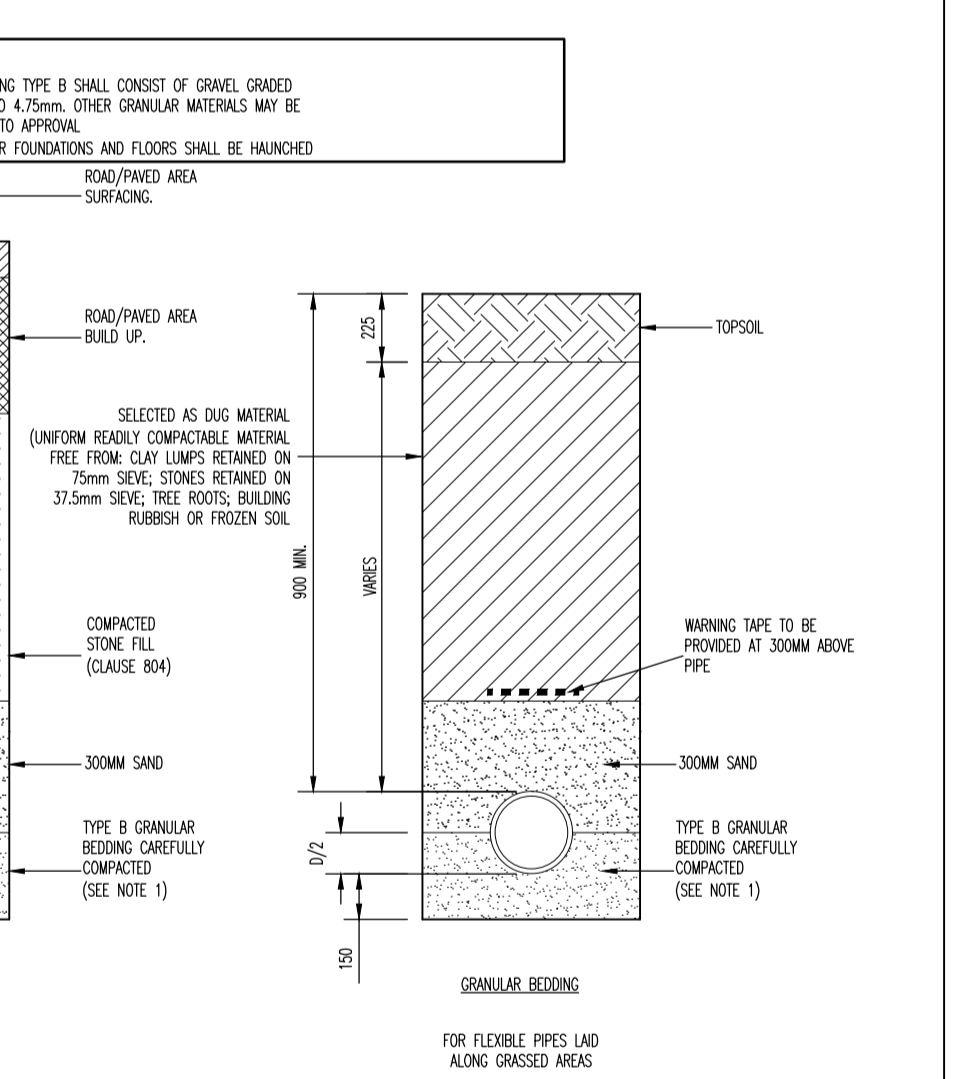
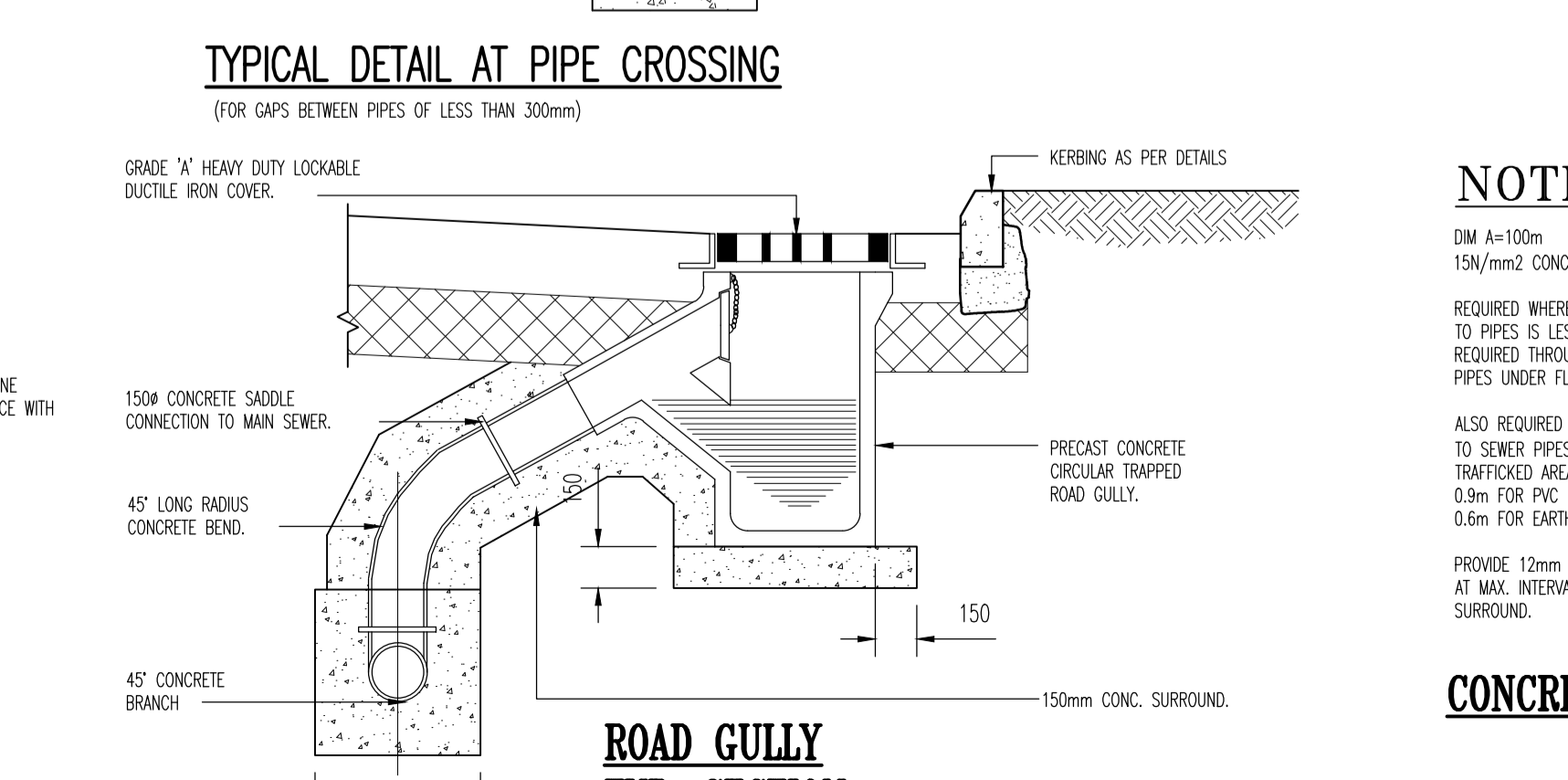
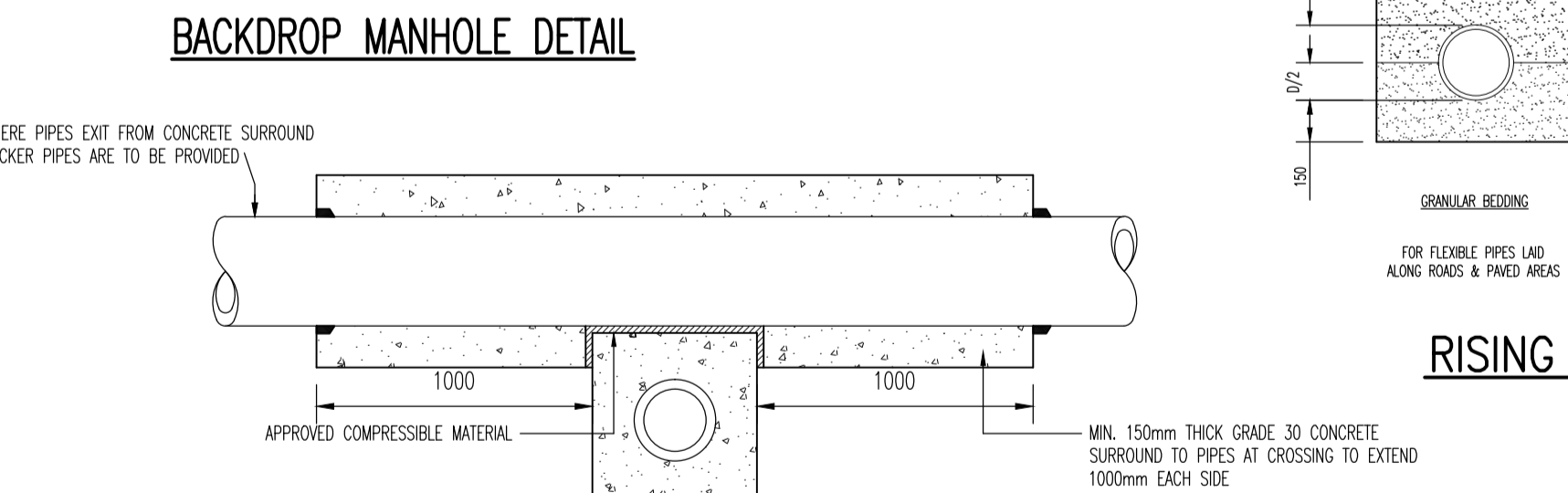
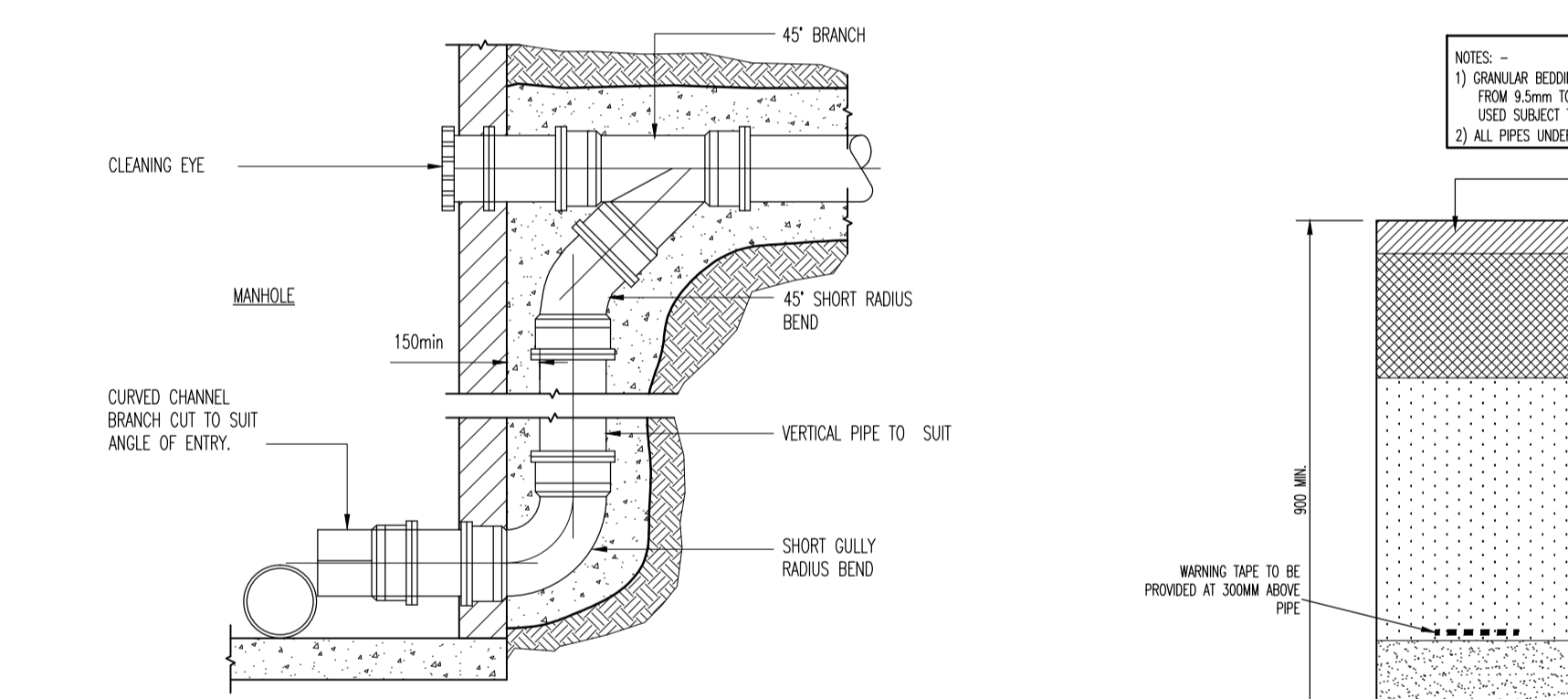
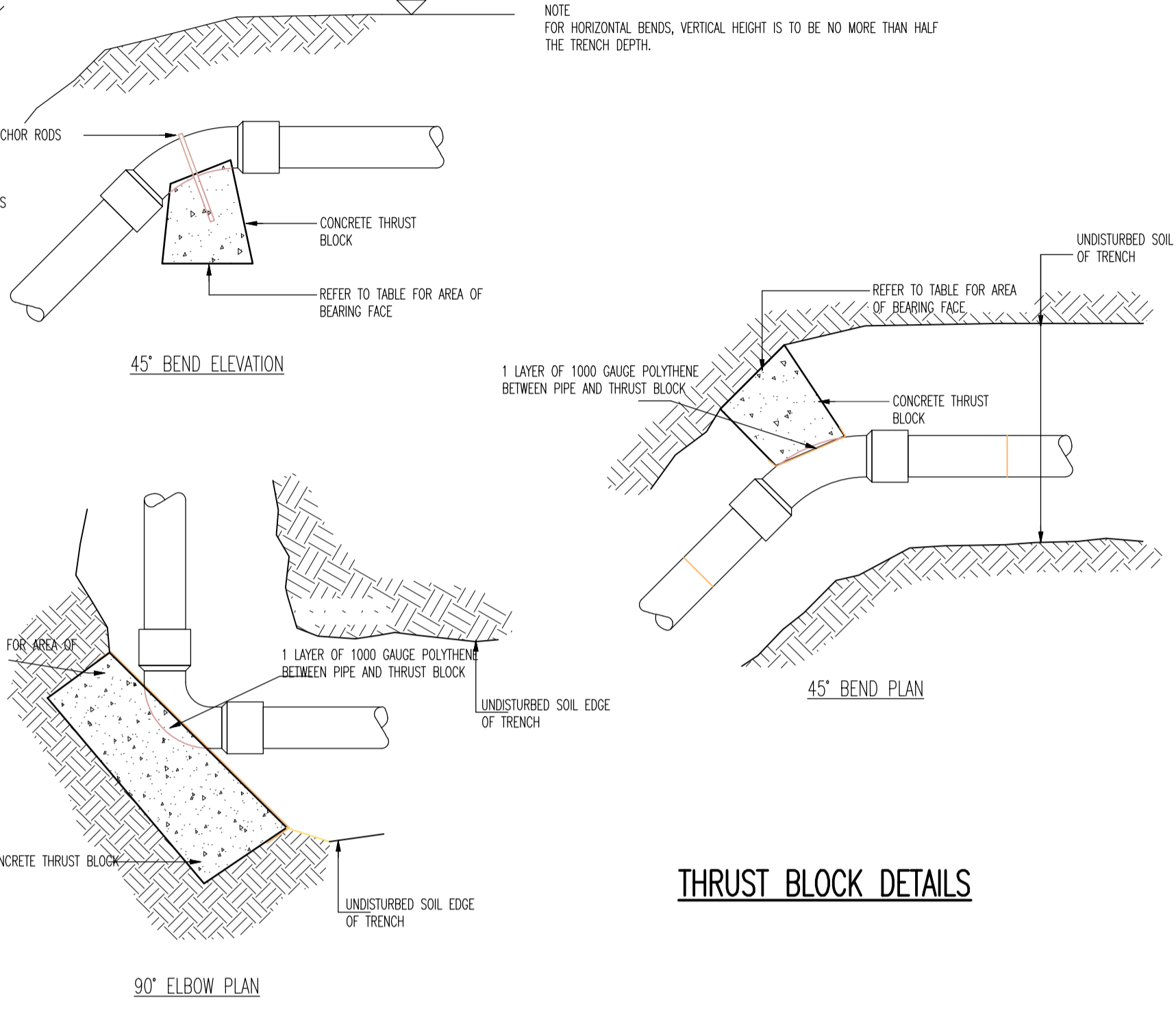
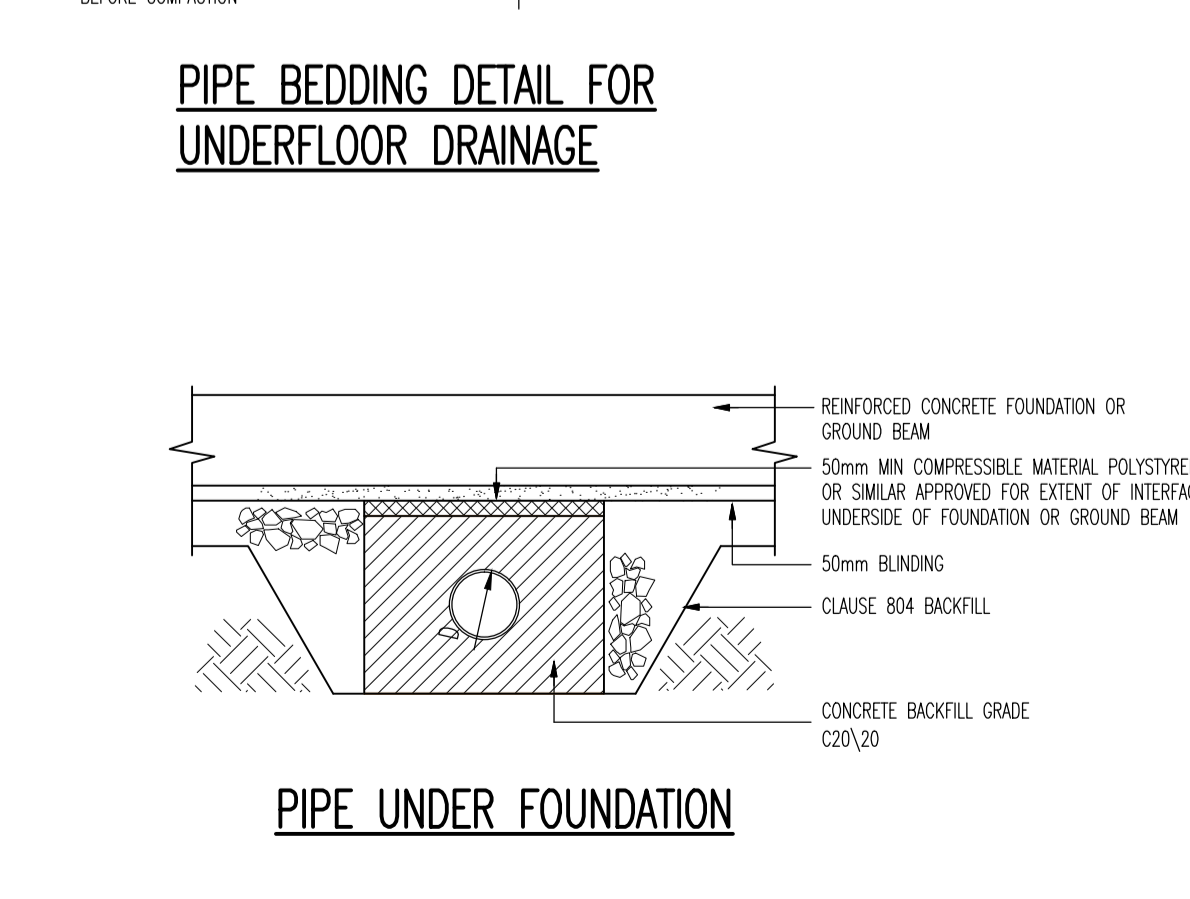
DEPTH TO IL \leq 1.0
 ϕ 's 150 TO 450 INCL

1.0 < DEPTH TO IL \leq 3.0
 ϕ 's 150 TO 450 INCL



NOTES: -
 1) GRANULAR BEDDING TYPE B SHALL CONSIST OF GRAVEL GRADED FROM 9.5mm TO 4.75mm. OTHER GRANULAR MATERIALS MAY BE USED SUBJECT TO APPROVAL.
 2) ALL PIPES UNDER FOUNDATIONS AND FLOORS SHALL BE HAUNCHED

TYPICAL FOUL SEWER & SURFACE WATER PIPE BEDDING DETAILS



NOTE
 DIM A=100m
 15N/mm² CONCRETE
 REQUIRED WHERE COVER TO PIPES IS LESS THEN 0.9m & REQUIRED THROUGHOUT FOR PIPES UNDER FLOOR SLABS.
 ALSO REQUIRED WHERE COVER TO SEWER PIPES IN GRASSED/LIGHTLY TRAFFICKED AREAS IS LESS THEN 0.9m FOR PVC PIPES & 0.6m FOR EARTHENWARE PIPES.
 PROVIDE 120mm VERTICAL MOVEMENT AT MAX. INTERVAL OF 5m IN CONCRETE SURROUND.

GENERAL NOTES:-

- THIS DRAWING TO BE READ IN CONJUNCTION WITH ALL RELEVANT ARCHITECTS & ENGINEERS DRAWINGS & SPECIFICATIONS.
- DO NOT SCALE. USE FIGURED DIMENSIONS ONLY.
- THE CONTRACTOR SHALL VERIFY ALL DIMENSIONS AND ELEVATIONS WITH ARCHITECTURAL DRAWINGS PRIOR TO START OF CONSTRUCTION. ALL DISCREPANCIES TO BE NOTIFIED, IN WRITING TO ENGINEERS AND ARCHITECTS FOR RESOLUTION.
- ALL DIMENSIONS ON DRAWINGS ARE IN MILLIMETRES UNLESS OTHERWISE NOTED.

ALL SETTING OUT DIMENSIONS TO BE CHECKED AGAINST ARCHITECTS DRAWINGS, ARCHITECTS DRAWINGS TO TAKE PRECEDENCE.

Issue Register

No.	Date	Revision	Drawn	Checked	Approved
T1	16/10/15	TENDER ISSUE	PUN	MJP	MJP

PLANNING

Client: KILKENNY COUNTY COUNCIL
 Project: DEVELOPMENT AT ST. FRANCIS BREWERY, KILKENNY
 Drawing Title: PROPOSED MANHOLE & SEWER DETAILS
 Project No: 141078
 Scale: A1-VARIES
 Drawing No: 141078/T/101
 Rev: PL1
 Drawn: PUN
 Checked: MJP
 Date: 16/10/15

Martin Peters Associates
 Consulting Engineers
 Omroada Road
 Kilkenny
 T: +353 86 7702761
 F: +353 56 7790728
 E: info@mpa.ie