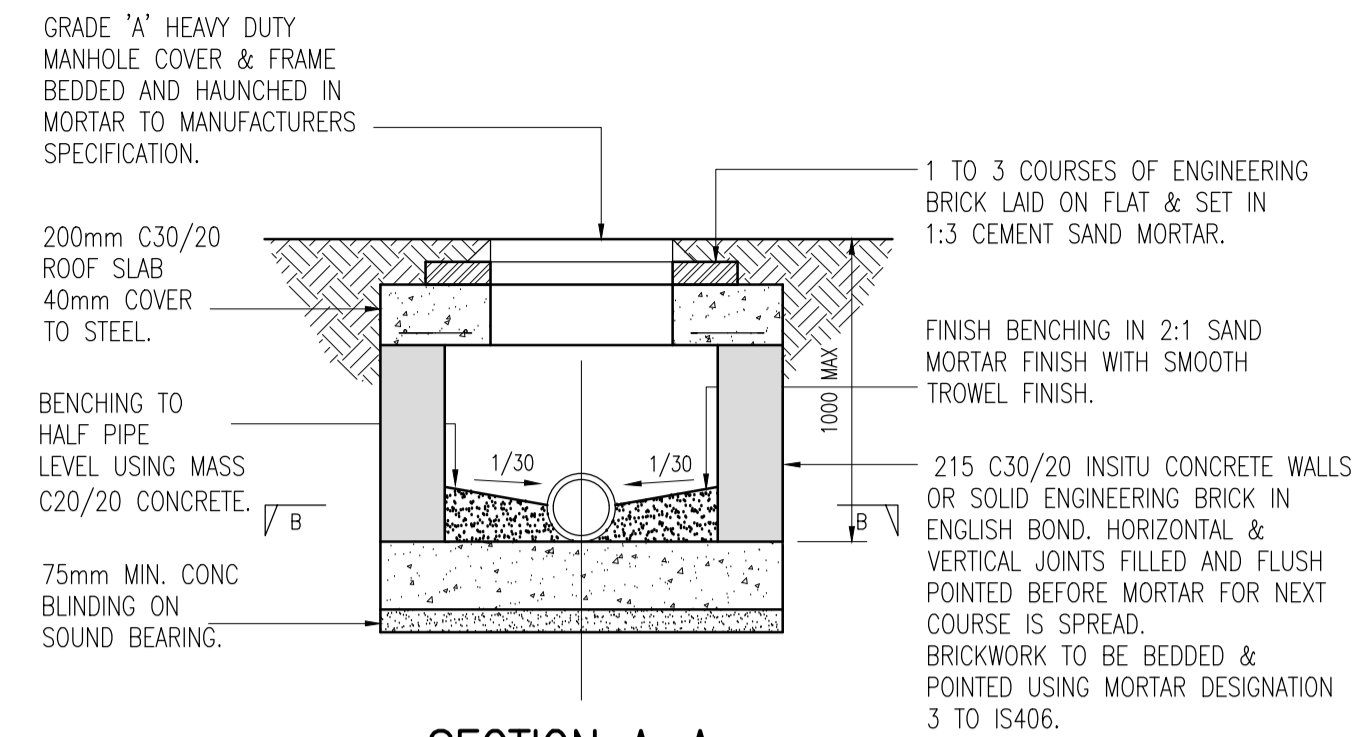
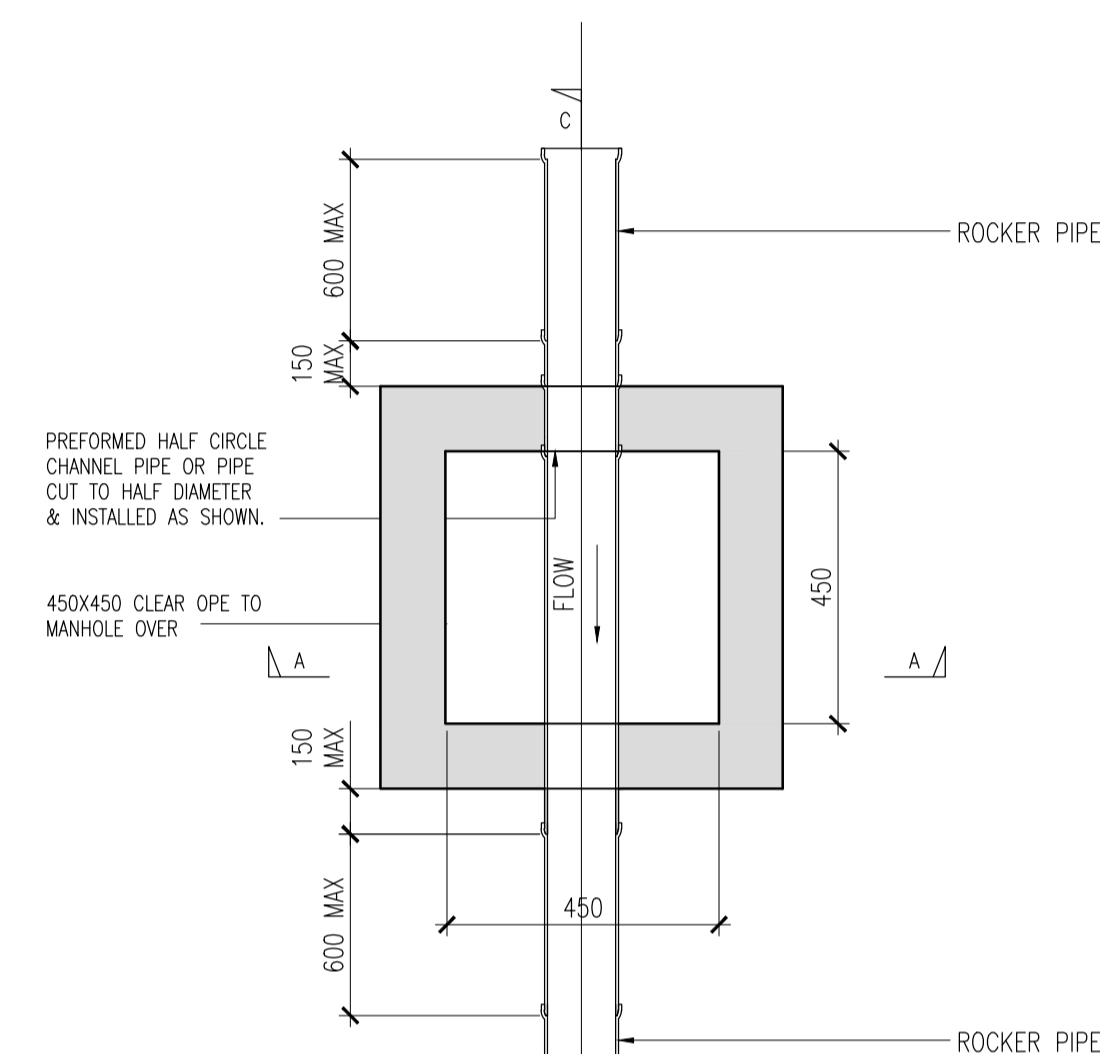


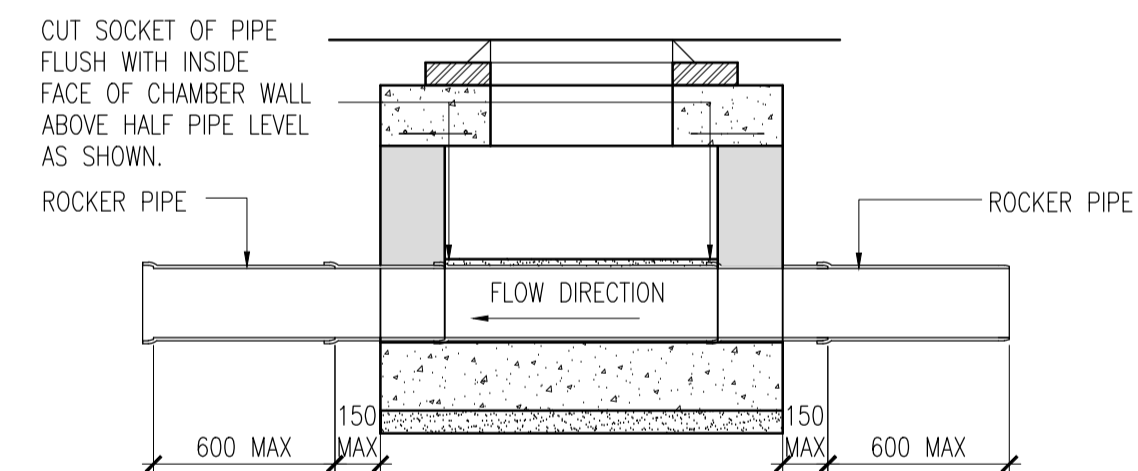
DEPTH TO IL ≤ 1.0
Ø's 150 TO 450 INCL



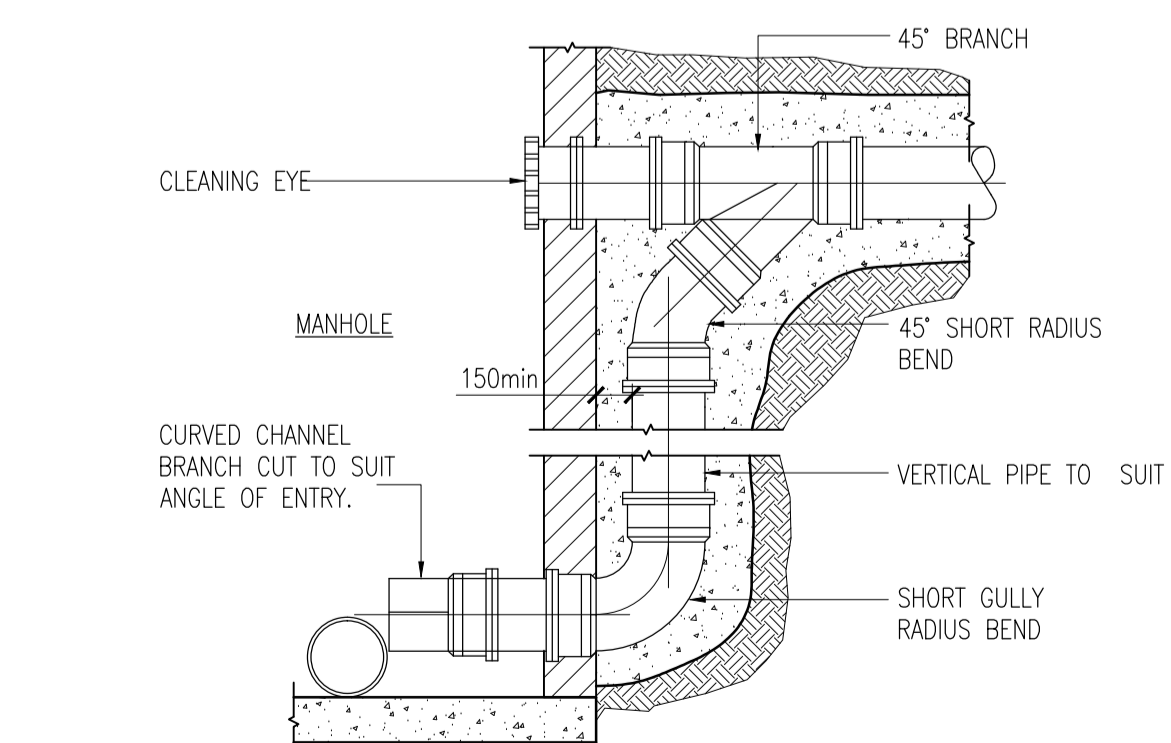
SECTION A-A



SECTION B-B

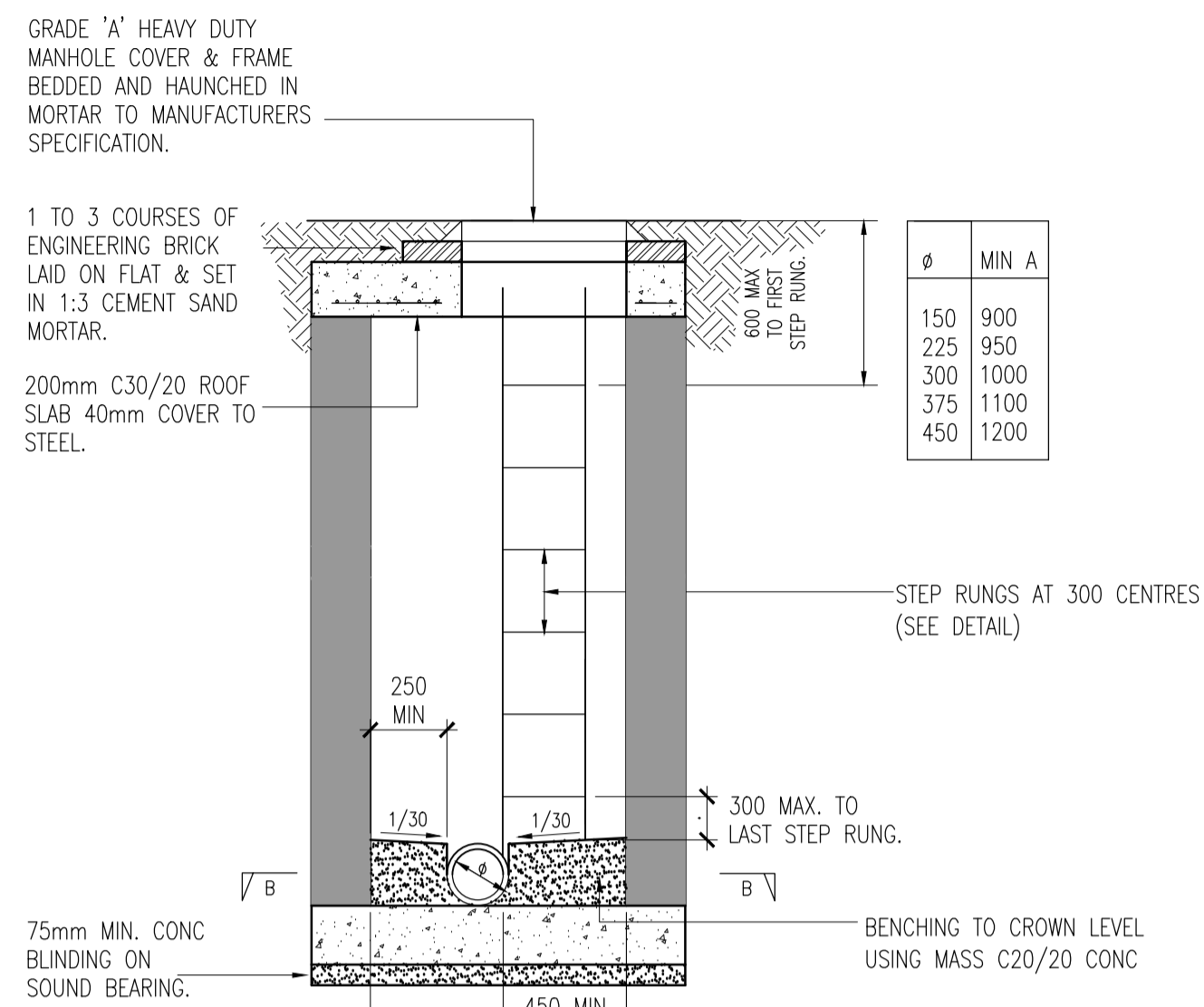


SECTION C-C

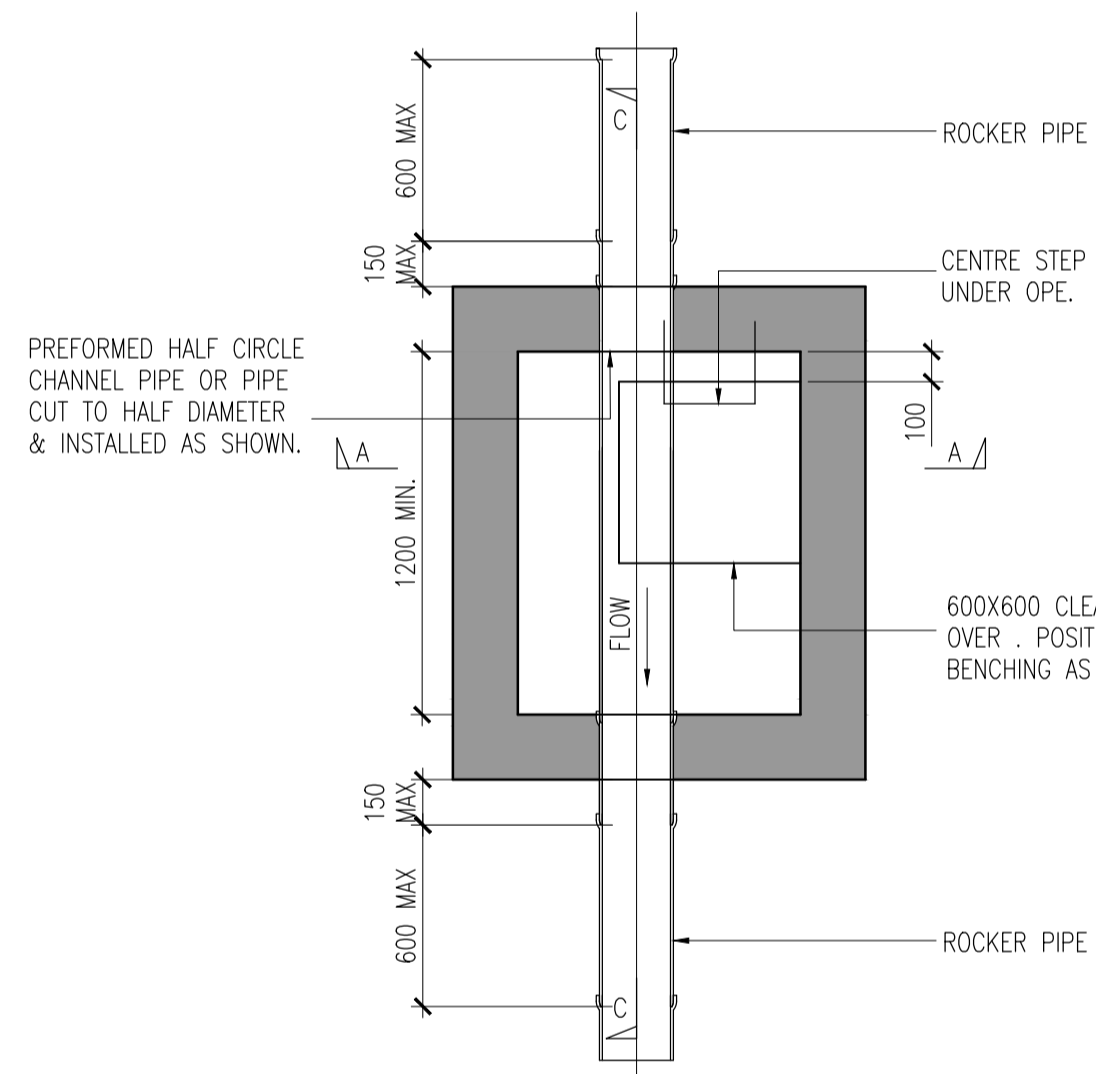


BACKDROP MANHOLE DETAIL

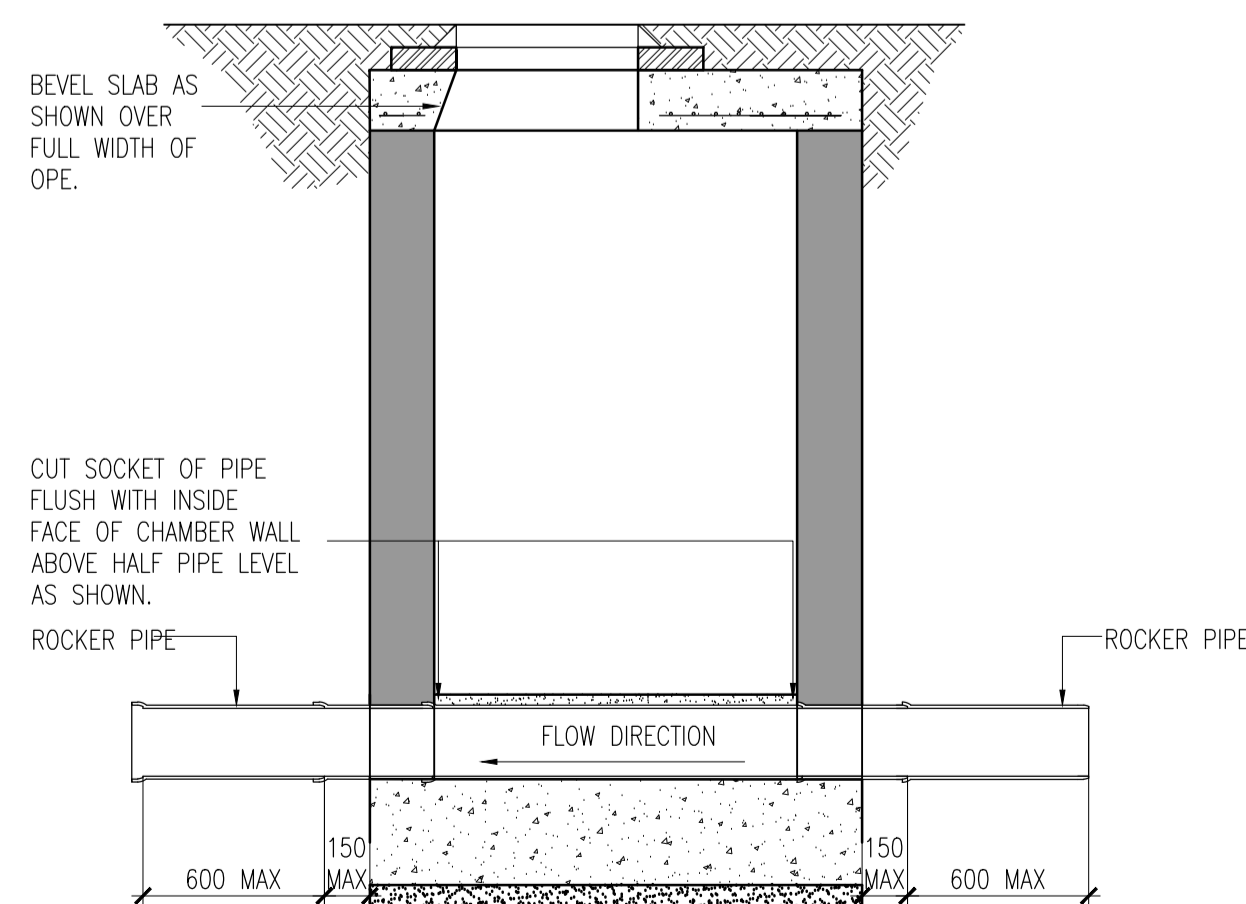
1.0 < DEPTH TO IL ≤ 3.0
Ø's 150 TO 450 INCL



SECTION A-A

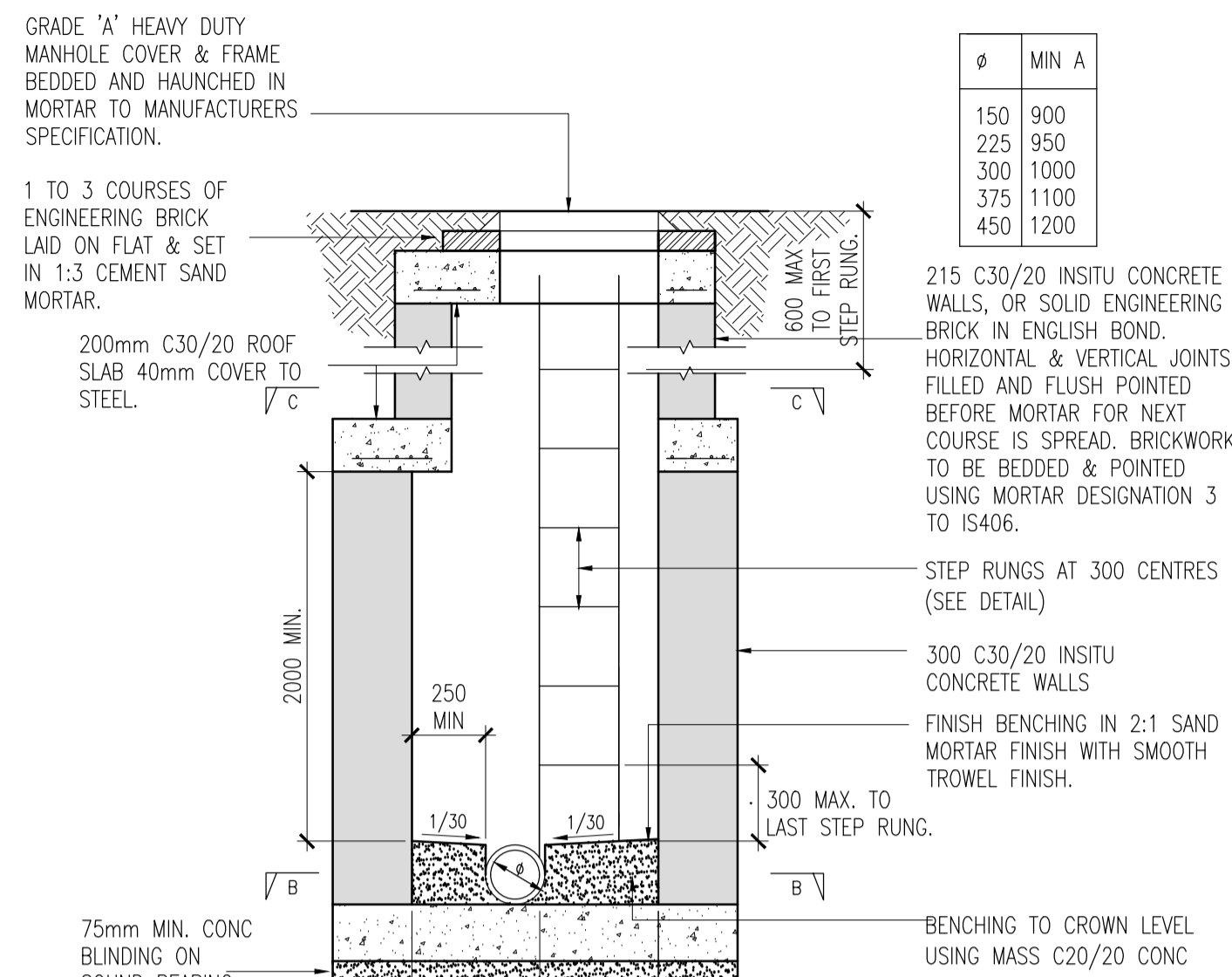


SECTION B-B

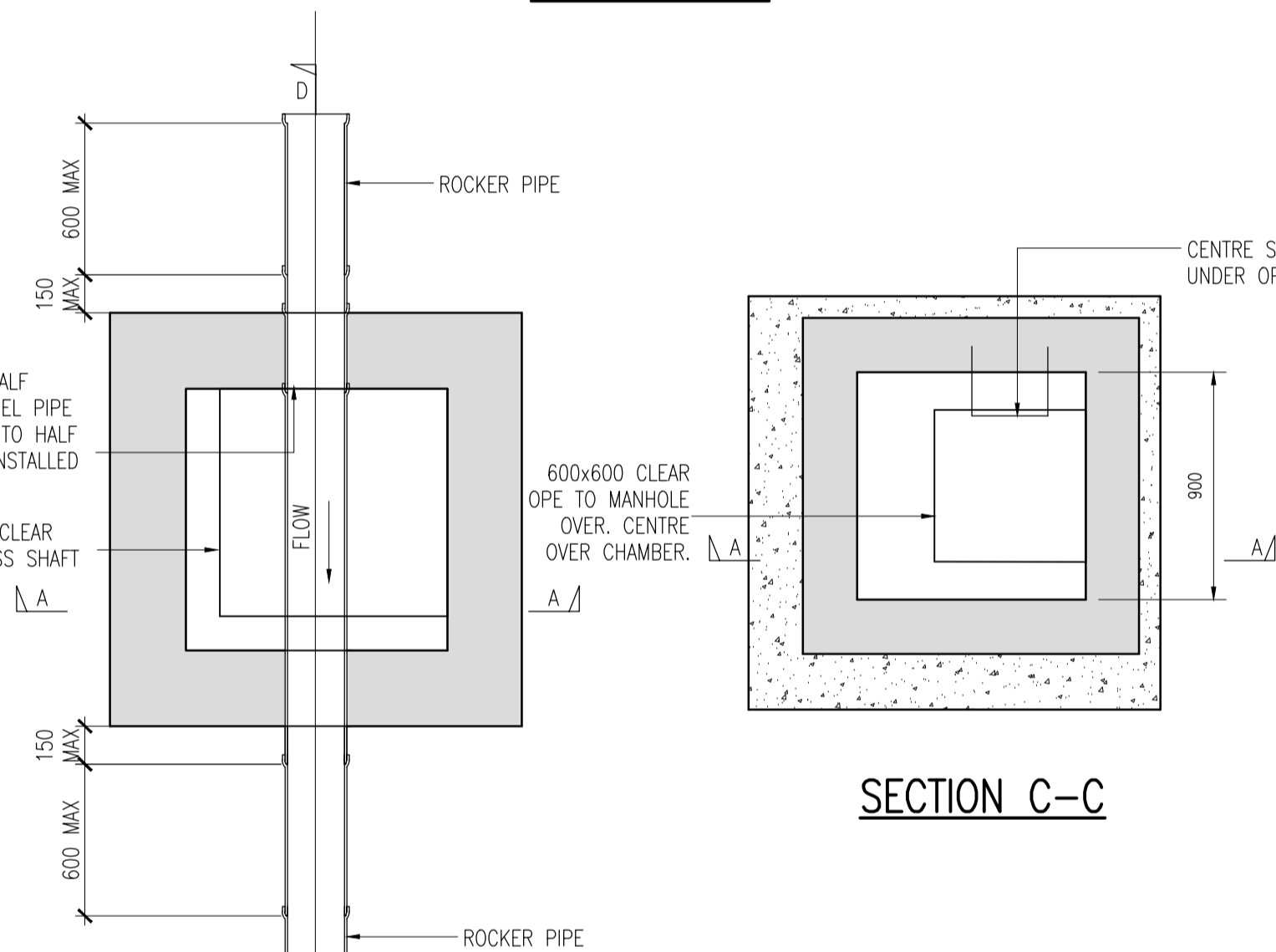


SECTION C-C

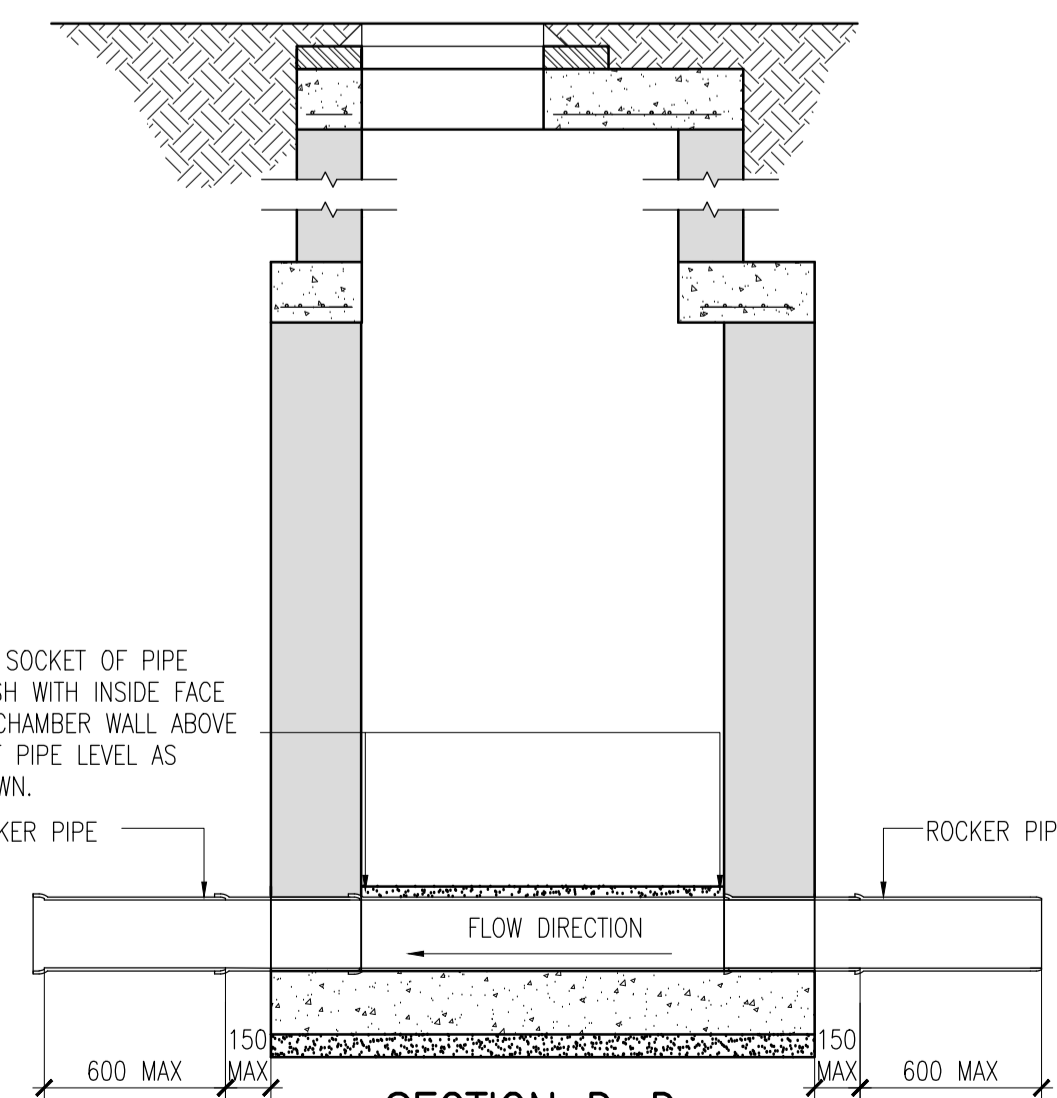
DEPTH TO IL > 3.0m
Ø's 150 TO 450 INCL



SECTION A-A



SECTION B-B

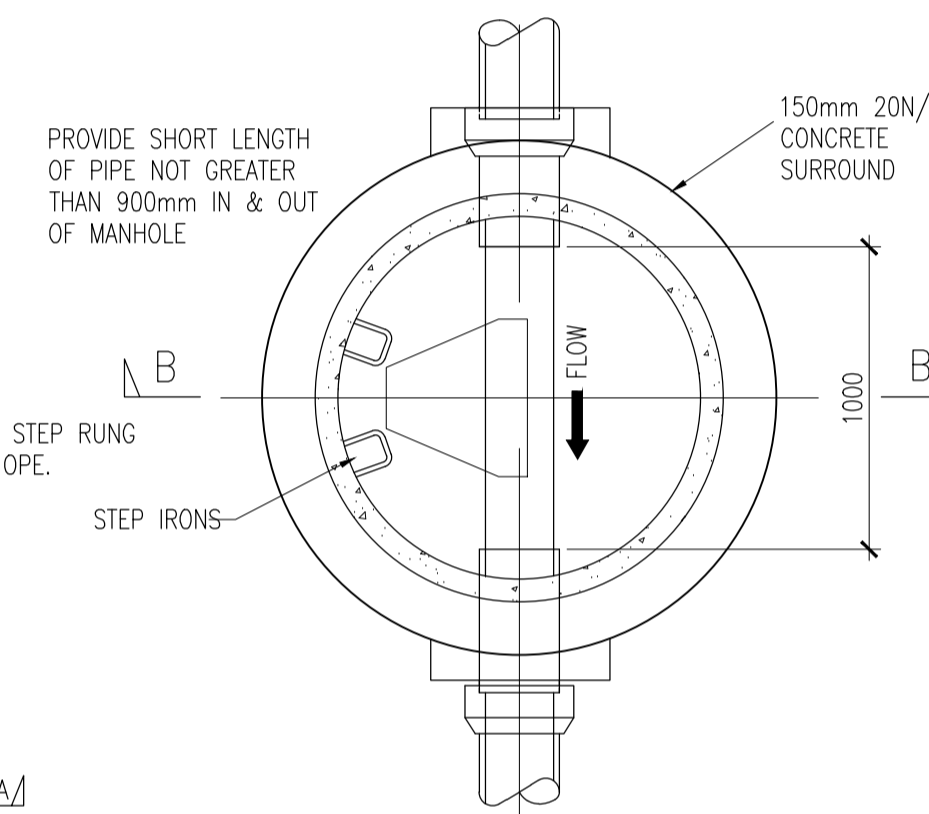


SECTION D-D

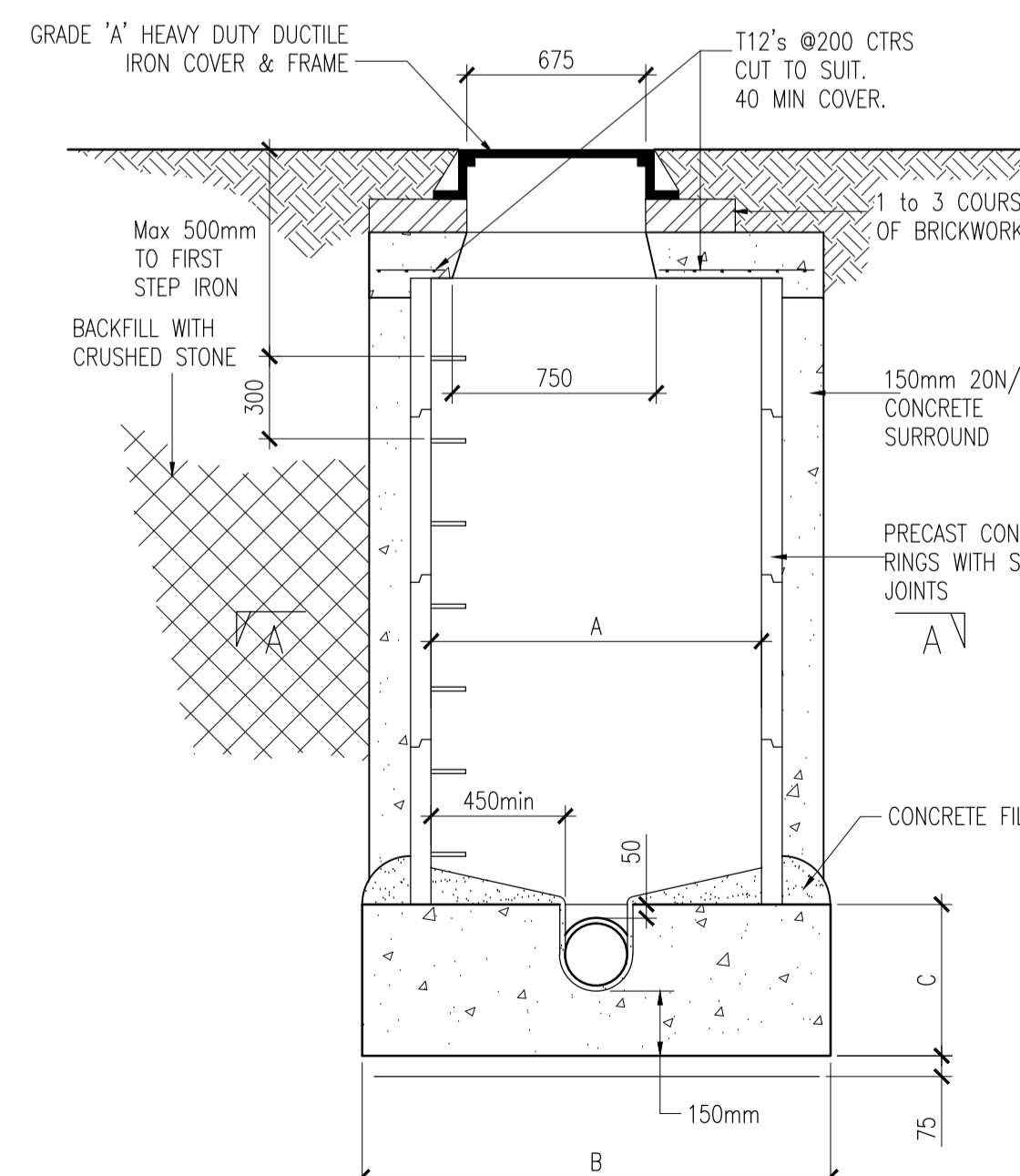
Ø	MIN A
150	900
225	950
300	1000
375	1100
450	1200

PRECAST MANHOLE SIZES

Sewer Dia (D mm)	Chamber Dia (A mm)	Insitu Base Ext. Dia (B mm)	Insitu Base Norm. Depth (C mm)
150	1050	1550	500
225	1200	1700	500
300	1200	1700	550
375	1200	1700	650
450	1350	1850	750
525	1350	1850	800
600	1350	1850	900
675	1350	1850	1000
750	1500	2000	1100
825	1500	2000	1150
900	1800	2330	1250
975	1800	2330	1350
1050	1800	2330	1400
1125	1800	2330	1500



SECTION A-A PC CONCRETE MANHOLE



SECTION B-B

GENERAL NOTES:-

- THIS DRAWING TO BE READ IN CONJUNCTION WITH ALL RELEVANT ARCHITECTS & ENGINEERS DRAWINGS & SPECIFICATIONS.
- DO NOT SCALE. USE FIGURED DIMENSIONS ONLY.
- THE CONTRACTOR SHALL VERIFY ALL DIMENSIONS & ELEVATIONS WITH ARCHITECTURAL DRAWINGS PRIOR TO START OF CONSTRUCTION. ALL DISCREPANCIES TO BE NOTIFIED, IN WRITING TO ENGINEERS & ARCHITECTS FOR RESOLUTION.
- ALL DIMENSIONS ON DRAWINGS ARE IN MILLIMETRES UNLESS OTHERWISE NOTED.
- FOR DETAILS AND SETTING OUT OF RWP, SVP, WVP & ALL OPENINGS SEE THE RELEVANT ARCHITECTS DRAWINGS.
- FOR RADON BARRIER, D.P.C. & INSULATION DETAILS REFER TO ARCHITECTS DRAWINGS

ABBREVIATIONS:-

BTM	BOTTOM
C/C	CENTRE TO CENTRE
CTRS	CENTRES
SFL	STRUCTURAL FLOOR LEVEL
FFL	FINISHED FLOOR LEVEL
TOC	TOP OF CONCRETE
TP	TOP
TOS	TOP OF STEEL
UNO	UNLESS NOTED OTHERWISE

ALL SETTING OUT DIMENSIONS TO BE CHECKED AGAINST ARCHITECTS DRAWINGS. ARCHITECTS DRAWINGS TO TAKE PRECEDENCE.

Issue Register

No.	Date	Revision	Drawn	Checked	Approved
PL1	12/04/18	ISSUED FOR PLANNING	MT	LMJ	MJP

PLANNING

Client: KILKENNY COUNTY COUNCIL
 Project: NEW COMMUNITY DWELLING HOUSE AT CLOUGHABRODY THOMASTOWN
 Drawing Title: **PROPOSED MANHOLE DETAILS**
 Project No: 181033 Scale: 1:50@A3
 Drawing No: 181033/C/030 Rev: PL1
 Drawn: MT Checked: LMJ Date: 11/04/18

Martin Peters Associates
 Consulting Engineers
 Ormonde Road
 Kilkenny
 T: +353 56 7702761
 F: +353 56 7702728
 E: info@mpa.ie