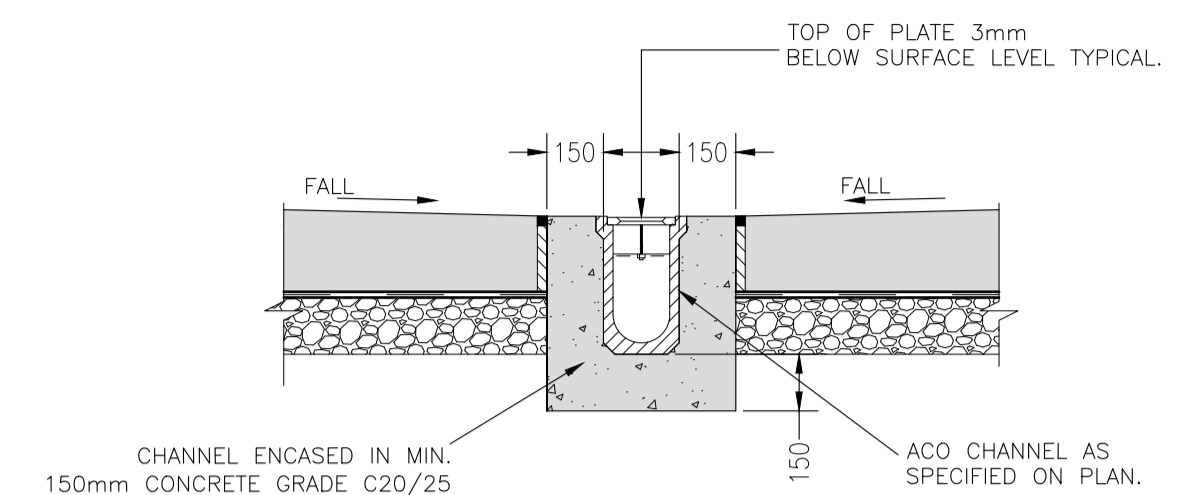
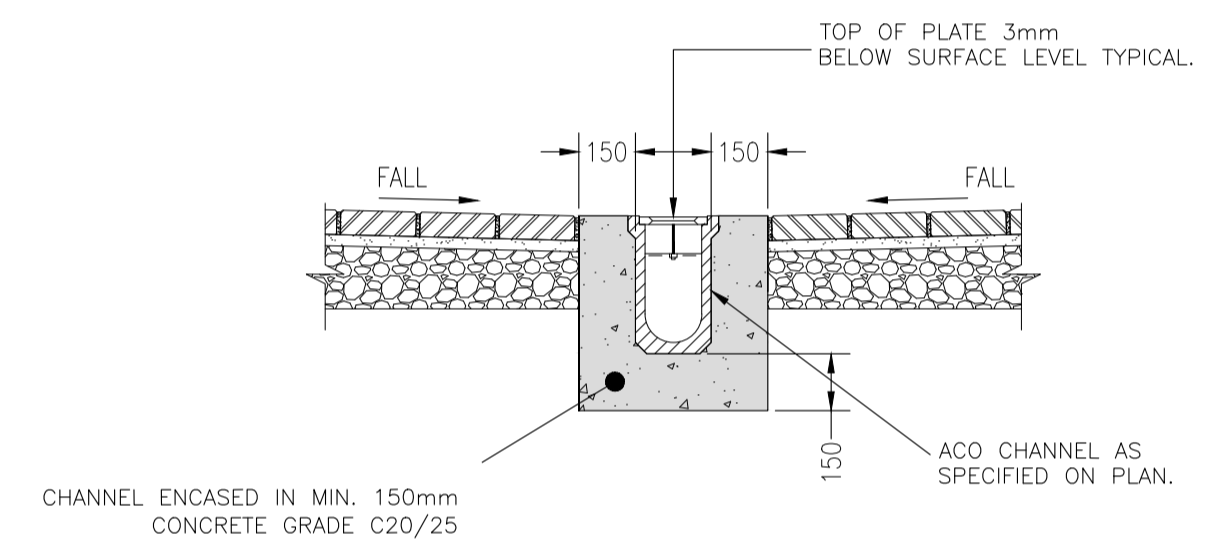


TYP. SECT. THRO' BRICK ROAD GULLY

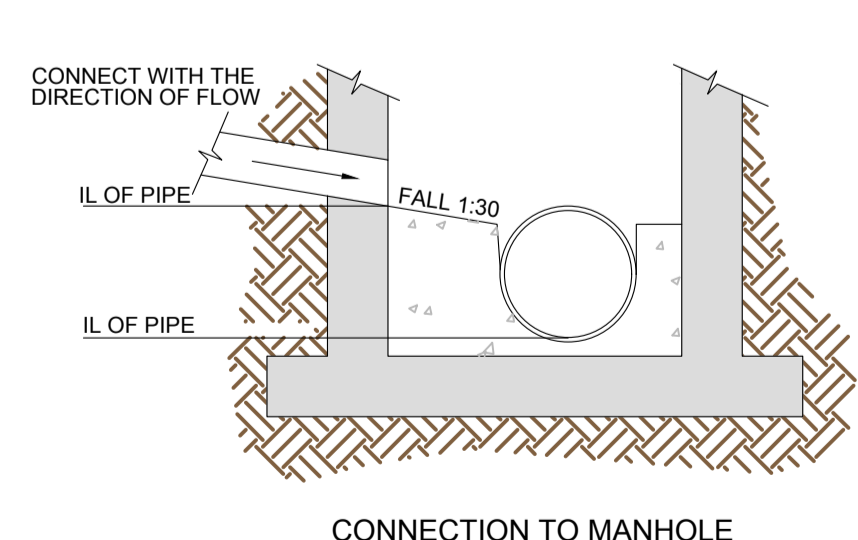
A SECTION
SCALE: N.T.S.



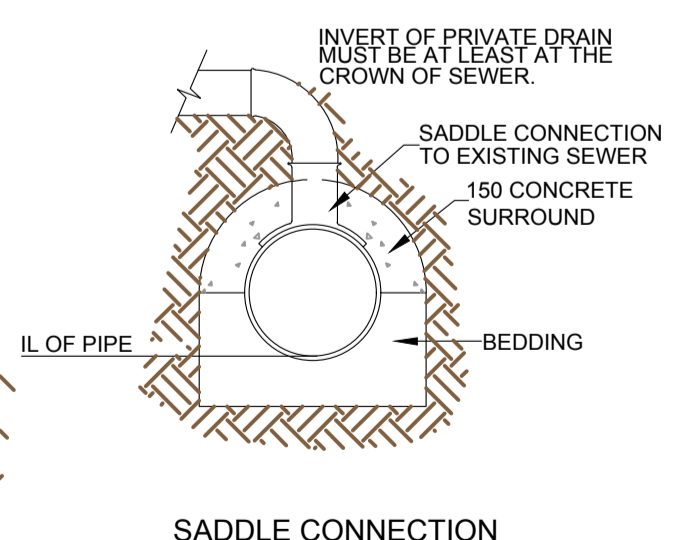
B SECTION
SCALE: N.T.S.
TYPICAL SECTION THRO'UGH ACO CHANNEL IN CONCRETE ROADWAY / HARDSTANDING



C SECTION
SCALE: N.T.S.
TYPICAL SECTION THRO'UGH ACO CHANNEL IN BLOCK PAVER ROADWAY / HARDSTANDING

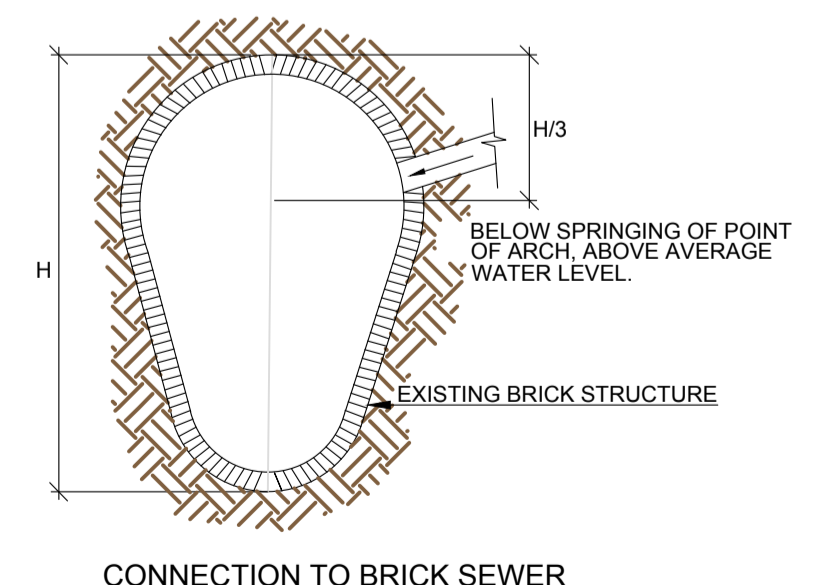


CONNECTION TO MANHOLE

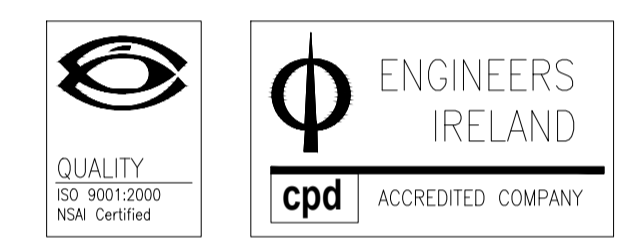


SADDLE CONNECTION

MANHOLE CONNECTIONS (DCC AREA ONLY)



CONNECTION TO BRICK SEWER



Referenced drawings	
Dwg No.	Dwg Title

Issue register					
Rev.	Date	Description	Dwn.	Chkd.	Apprv.
PL1	08.02.19	PLANNING ISSUE	PF	PF	NP

Client: **KILKENNY COUNTY COUNCIL**

Job Description: **CROKERS HILL HOUSING DEVELOPMENT**

Status: **PLANNING ISSUE**

Drawing Title: **EXTERNAL DETAILS SHEET 3 GULLIES & ACO CHANNEL DETAILS**

Project No: **18KK003** Drawing Ref: **C-052** Rev: **PL1**

Date: **07.02.19** Scale: **AS SHOWN**

Drawn By: **P.FUNCHEON** Checked By: **P.FUNCHEON** Approved By: **N.PATTERSON**

Hayes Higgins Partnership
Gas House Lane, Kilkenny.

Gas House Lane, Kilkenny (056) 7764710 (056) 7723223 info@hayeshiggins.com
58 Fitzsimons Square, Dublin 2 (01) 4612321 (01) 4625804 sales@hayeshiggins.com