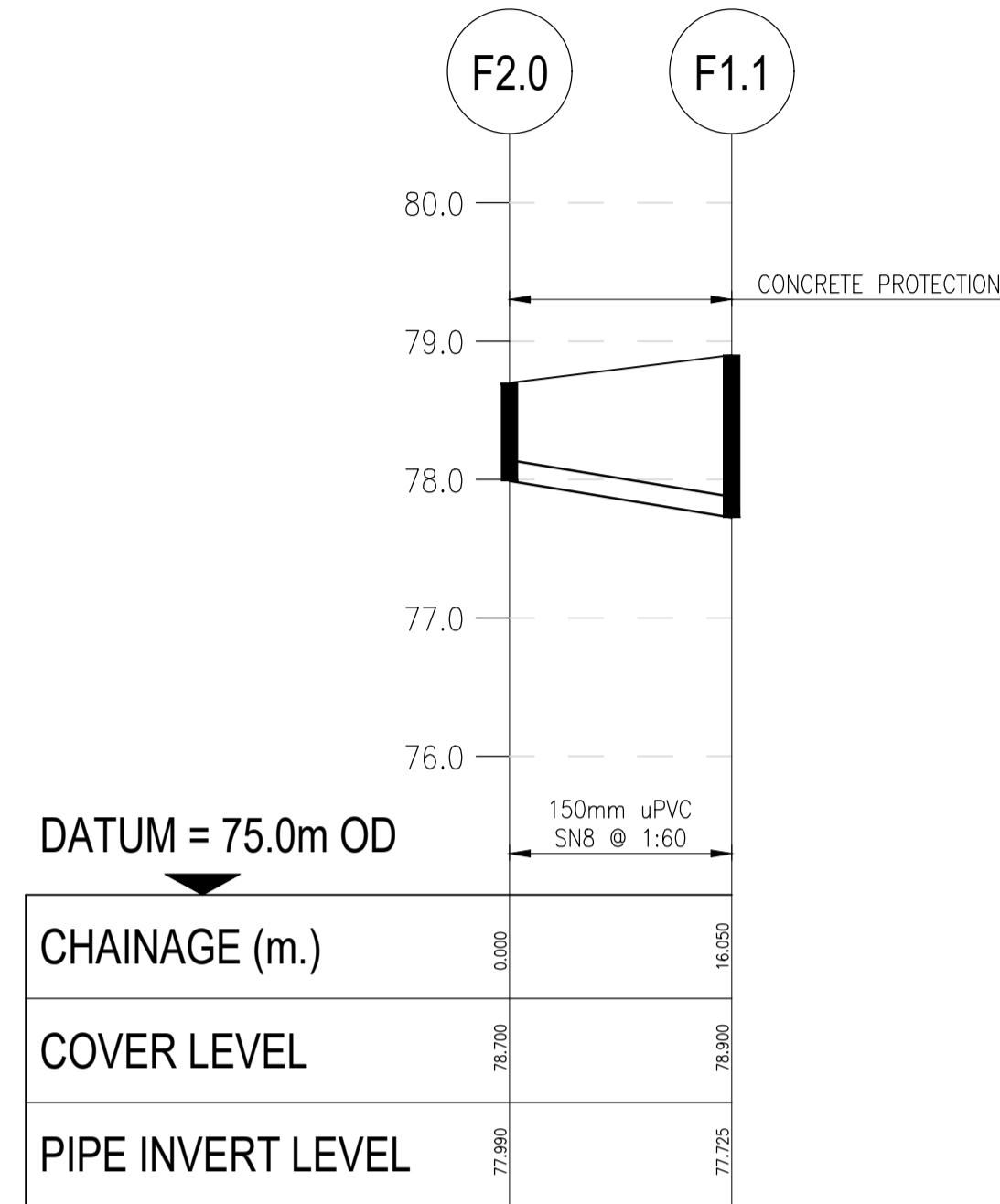
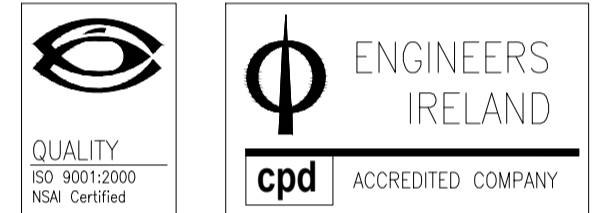


F1.0 - F1.6
Scale: Horizontal = 1:500, Vertical = 1:100



F2.0 - F1.1
Scale: Horizontal = 1:500, Vertical = 1:100

- NOTES:
- GENERAL NOTES:
1. THIS DRAWING TO BE READ IN CONJUNCTION WITH ALL RELEVANT ARCHITECTS, SERVICE ENGINEERS DRAWINGS & SPECIFICATIONS.
 2. ALL LEVELS ARE STRUCTURAL UNLESS NOTED OTHERWISE.
 3. ALL WORKS TO BE CARRIED OUT IN ACCORDANCE WITH THE RELEVANT BUILDING REGULATIONS.
 4. DO NOT SCALE - WORK TO FIGURE DIMENSIONS ONLY.



Referenced drawings	
Dwg No.	Dwg Title

Issue register					
Rev.	Date	Description	Dwn.	Chkd.	Appvd.
01	23.04.24	DESIGN INTENT ISSUE	CC	TD	NP

Client:
KILKENNY COUNTY COUNCIL

Job Description:
**PROPOSED HOUSING DEVELOPMENT
FRESHFORD, CO.KILKENNY**

Status:
DESIGN INTENT

Drawing Title:
**PROPOSED FOUL
LONGITUDINAL SECTIONS**

Project No: 23KK009	Drawing Ref: C-016	Rev: DI
Date: 08.12.23	Scale: AS SHOWN	
Drawn By: G.GOODSON	Checked By: T.DELANEY	Approved By: N.PATTERSON

Hayes Higgins Partnership
Gas House Lane, Kilkenny.

Gas House Lane, Kilkenny (056) 7764710 (056) 7723223 info@hayeshiggins.com
38 Fitzwilliam Square, Dublin 2. (01) 6612321 (01) 6612804 admin@hayeshiggins.ie